

**Sears**

**owners  
manual**

**MODEL NO.  
247.88110**

*123-550.*

**CAUTION:**  
Read **SAFETY  
RULES** and  
**INSTRUCTIONS**  
carefully



**CRAFTSMAN  
HI WHEEL  
SELF PROPELLED  
ROTARY MOWER.**

- **Assembly**
- **Operating**
- **Maintenance**
- **Repair Parts**

Sold by **SEARS, ROEBUCK AND CO., Chicago, Ill. 60607 U.S.A.**  
and **SIMPSONS-SEARS LIMITED, Toronto**

# IMPORTANT

## SAFE OPERATION PRACTICES FOR WALK-BEHIND MOWERS

### TRAINING

1. Read the Operating and Service Instruction Manual carefully. Be thoroughly familiar with the controls and the proper use of the equipment.
2. Never allow children to operate a power mower.
3. Keep the area of operation clear of all persons, particularly small children, and pets.
5. If the equipment should start to vibrate abnormally, stop the engine (motor) and check immediately for the cause. Vibration is generally a warning of trouble.
6. Stop the engine (motor) whenever you leave the equipment, before cleaning the mower housing, and when making any repairs or inspections.

### PREPARATION

1. Thoroughly inspect the area where the equipment is to be used and remove all stones, sticks, wire, bones and other foreign objects.
2. Do not operate equipment when barefoot or wearing open sandals. Always wear substantial footwear.
3. Check the fuel before starting the engine. Do not fill the gasoline tank indoors, when the engine is running, or while the engine is still hot. Wipe off any spilled gasoline before starting the engine.
4. Disengage the self-propelled mechanism or drive clutch on units so equipped before starting the engine (motor).
5. Never attempt to make a wheel adjustment while the engine (motor) is running.
6. Mow only in daylight or in good artificial light.
7. Never operate the equipment in wet grass. Always be sure of your footing; keep a firm hold on the handle and walk, never run.
7. When cleaning, repairing or inspecting, make certain the blade and all moving parts have stopped. Disconnect the spark plug wire, and keep the wire away from the plug to prevent accidental starting.
8. Do not run the engine indoors.
9. Shut the engine (motor) off and wait until the blade comes to a complete stop before removing the grass catcher or unclogging chute.
10. Mow across the face of slopes, never up-and-down. Exercise extreme caution when changing direction on slopes. Do not mow excessively steep slopes.
11. Always disconnect electric mowers (line operated) before cleaning, repairing or adjusting.
12. Never operate mower without proper guards, plates or other safety protective devices in place.
13. Keep washout ports and other mower-housing service openings closed when mowing.

### OPERATION

1. Do not change the engine governor settings or overspeed the engine.
2. Do not put hands or feet near or under rotating parts. Keep clear of the discharge opening at all times.
3. Stop the blade(s) when crossing gravel drive, walks or roads.
4. After striking a foreign object, stop the engine (motor), remove the wire from spark plug, thoroughly inspect the mower for any damage, and repair the damage before restarting and operating the mower.
5. Check the grass catcher bags frequently for wear or deterioration. Replace with new bags for safety protection.

### MAINTENANCE AND STORAGE

1. Check the blade and the engine mounting bolts at frequent intervals for proper tightness.
2. Keep all nuts, bolts, and screws tight to be sure the equipment is in safe working condition.
3. Never store the equipment with gasoline in the tank inside of a building where fumes may reach an open flame or spark. Allow the engine to cool before storing in any enclosure.
4. To reduce fire hazard, keep the engine free of grass, leaves, or excessive grease.
5. Check the grass catcher bags frequently for wear or deterioration. Replace with new bags for safety protection.

# **CRAFTSMAN HI-WHEEL SELF-PROPELLED ROTARY MOWER**

## **CRAFTSMAN 1-YEAR GUARANTEE**

If during the first year this Craftsman product fails to give proper performance due to defects in material or workmanship, we will make all necessary repairs, free of charge.

This guarantee service is available through any of our stores or service centers throughout the United States or Canada.

## **MAINTENANCE AGREEMENT**

A MODERN, LOW-COST MAINTENANCE AGREEMENT IS AVAILABLE ON THIS PRODUCT TO EXTEND THE GUARANTEE. CONTACT YOUR NEAREST SEARS STORE.

## **CUSTOMERS RESPONSIBILITIES**

ALWAYS USE CARE WHEN OPERATING THE HI WHEEL ROTARY MOWER. KEEP CLEAR OF MOVING PARTS. DO NOT WORK ON HI WHEEL ROTARY MOWER WITH ENGINE RUNNING. AVOID STRIKING OR RUNNING INTO SOLID OBJECTS OR DEBRIS IN THE AREA TO BE WORKED. READ AND OBSERVE THE RULES FOR SAFE OPERATION. KEEP THE HI WHEEL ROTARY MOWER CLEAN. FOLLOW A REGULAR MAINTENANCE AND CHECK SCHEDULE TO PROVIDE EFFICIENT AND SAFE OPERATION. A WELL-CARED FOR HI WHEEL ROTARY MOWER WILL LAST LONGER AND OPERATE MORE EFFICIENTLY. ALWAYS BE CAREFUL FOR YOURSELF AND FOR OTHERS

## **SET UP INSTRUCTIONS**

IT IS SUGGESTED THAT THIS MANUAL BE READ IN ITS ENTIRETY BEFORE ATTEMPTING TO ASSEMBLE OR OPERATE THE HI WHEEL ROTARY MOWER.

THE SEARS HI WHEEL ROTARY MOWER HAS BEEN COMPLETELY ASSEMBLED AT THE FACTORY, EXCEPT FOR THE HANDLE AND OPERATING CONTROLS WHICH HAVE BEEN LEFT UNASSEMBLED FOR SHIPPING PURPOSES. ALL PARTS SUCH AS NUTS, WASHERS, BOLTS, ETC., NECESSARY TO COMPLETE ASSEMBLY OF THE HANDLE AND CONTROLS HAVE BEEN PRE-INSERTED IN THE PLACES THEY ARE TO BE USED OR PLACED IN A PLASTIC BAG.

ASSEMBLE THE UNIT AS OUTLINED. REFER TO ILLUSTRATIONS FOR ASSEMBLY ASSISTANCE.

# REFERENCE PHOTO FOR ASSEMBLY AND INSTRUCTIONS

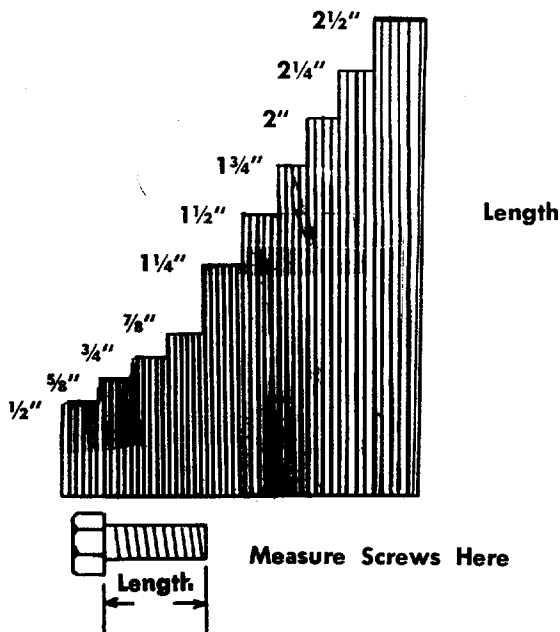
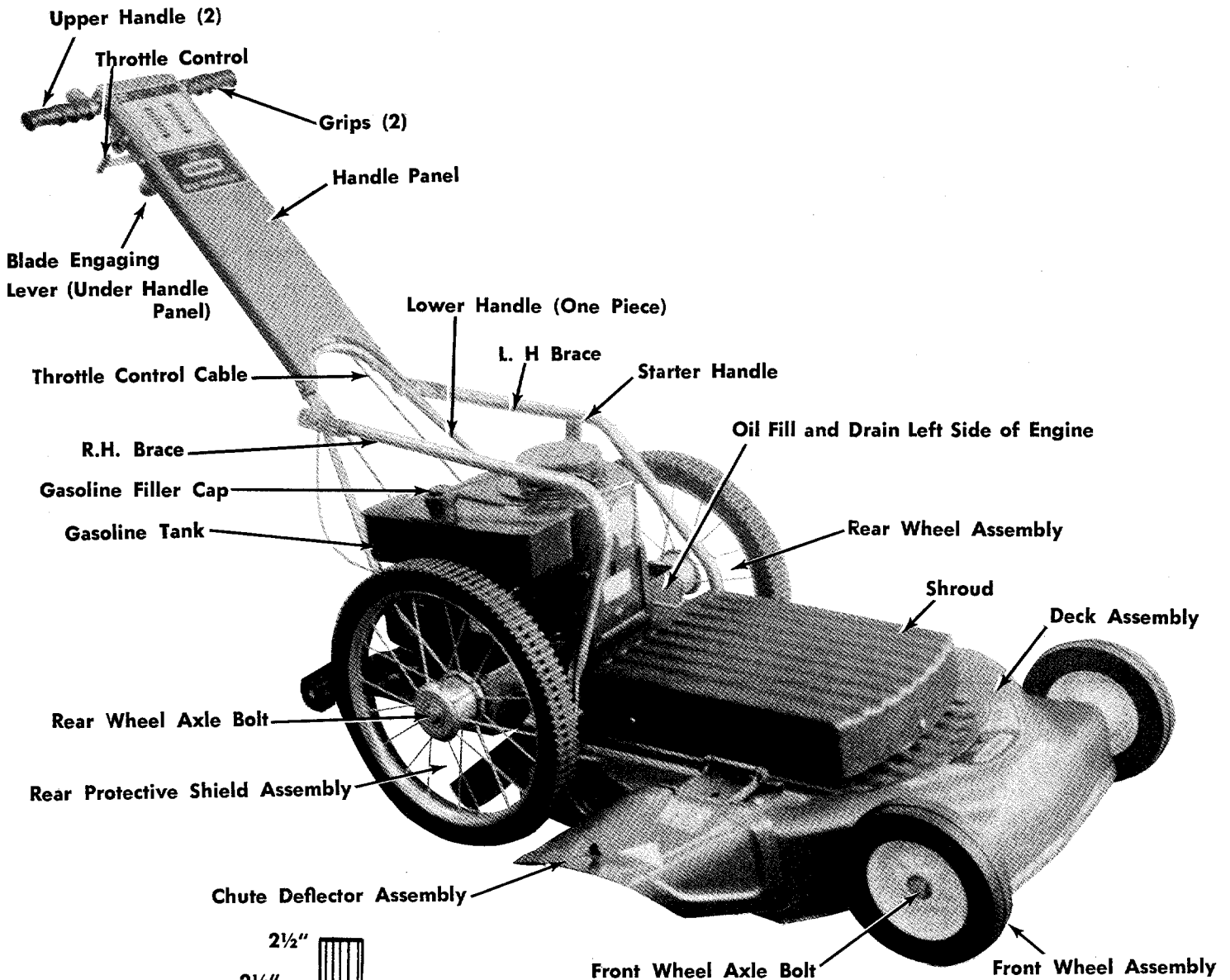


FIGURE 2.

## LIST OF CONTENTS IN HARDWARE PACK

- (11) Hex Center Locknuts  $\frac{1}{4}$ -20 Thread.
- (3) Hex Head Bolts  $\frac{1}{4}$ -20 Thread x  $1\frac{1}{4}$ " Long.
- (3) Hex Head Bolts  $\frac{1}{4}$ -20 Thread x  $1\frac{1}{2}$ " Long.
- (2) Hex Head Bolts  $\frac{1}{4}$ -20 Thread x  $2\frac{1}{2}$ " Long.
- (2) Slotted Hex Head Screws 8-32 Thread x  $\frac{1}{2}$ " Long.
- (1) Speed Nut.
- (1) Truss Head Machine Screw 10-24 Thread x  $\frac{3}{8}$ " Long.
- (1) Hex Head Bolt  $\frac{3}{8}$ -16 Thread x 1" Long.
- (1) Hex Head Bolt  $\frac{3}{8}$ -16 Thread x  $\frac{5}{8}$ " Long.
- (2) Flat Washers  $\frac{3}{8}$ " I.D. x  $1\frac{1}{4}$ " O.D. x  $\frac{5}{32}$ " Thick.
- (1) Flat Washer  $\frac{1}{4}$ " I.D. x  $\frac{1}{2}$ " O.D. x  $\frac{1}{16}$ " Thick
- (1) Flat Washer  $\frac{1}{2}$ " I.D. x  $\frac{3}{4}$ " O.D. x  $\frac{1}{32}$ " Thick.

Refer to figure 4.

# INDEX

Safe Operation Practices .....	2	Exploded Parts Illustration .....	20
Guarantee		Parts List of Parts for Mower .....	21
Maintenance Agreement		Exploded Parts Illustration .....	22
Customer's Responsibilities		Parts List of Parts for Mower .....	23
Set-Up Instructions .....	3	Exploded Parts Illustration .....	24
Reference Photo		Parts List of Parts for Mower .....	25
Bolt Measurement Chart		Blade Spindle Detail	
List of Contents in Hardware Pack .....	4	Blade Idler Bracket Detail .....	26
Index		Belt Idler Reference Photos .....	27
Assembly Instructions .....	5	Notes .....	28
Controls .....	10	Notes .....	29
Operation .....	11	Exploded Parts Illustration for Engine .....	30
To Start the Engine		Parts List for Engine .....	31
Efficient Operation .....	12	Parts List for Engine .....	32
Adjustment .....	13	Exploded Parts Illustration for Engine Magneto .....	33
Mower Lubrication .....	15	Exploded Parts Illustration for Carburetor .....	34
Engine Lubrication .....	16	Exploded Parts Illustration for Rewind Starter .....	35
Engine Maintenance .....	17	How to Order Repair Parts .....	36
Carburetor Adjustment			
Storage Instructions			
Engine Service .....	18		
Trouble Shooting Chart .....	19		

## ASSEMBLY INSTRUCTIONS

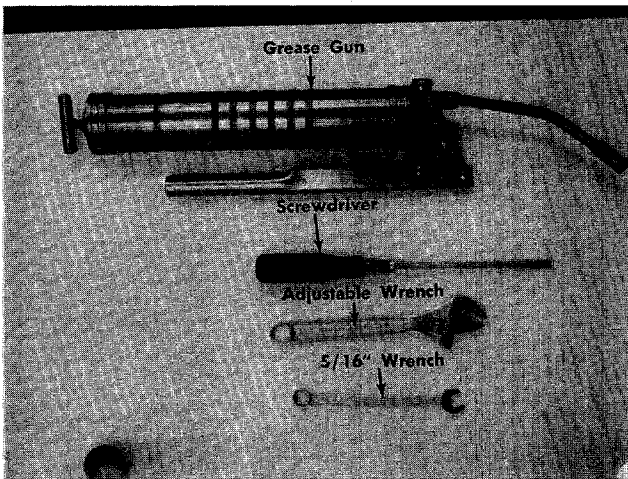


FIGURE 3. TOOLS REQUIRED

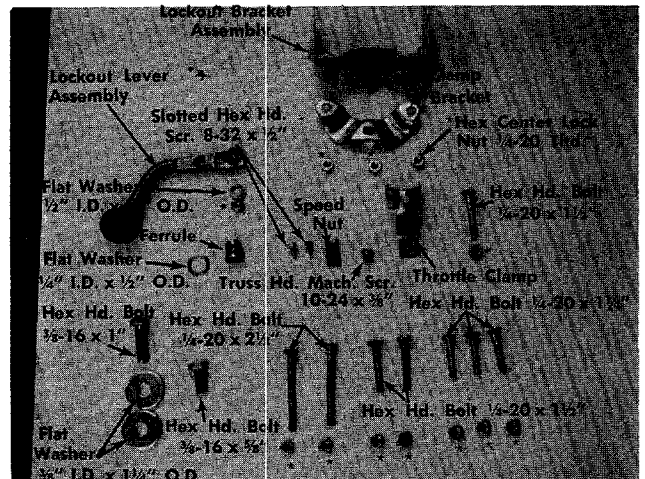
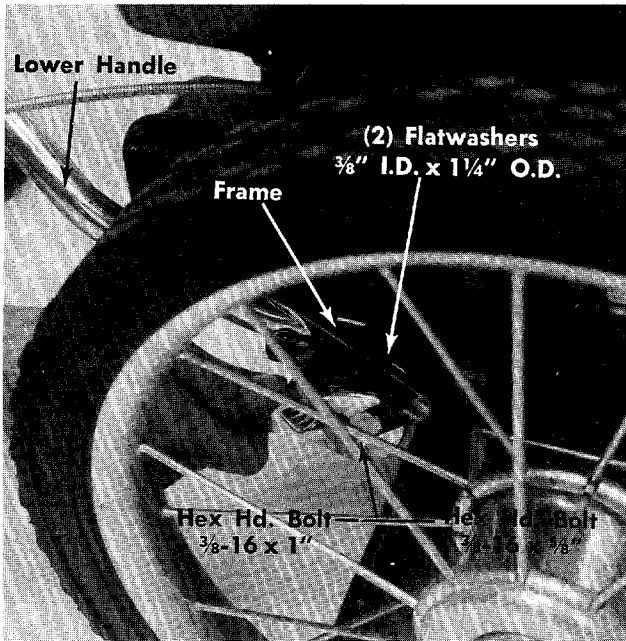


FIGURE 4. LOOSE HARDWARE

NOTE: Reference to right hand and left hand of your unit is from the operator's position.

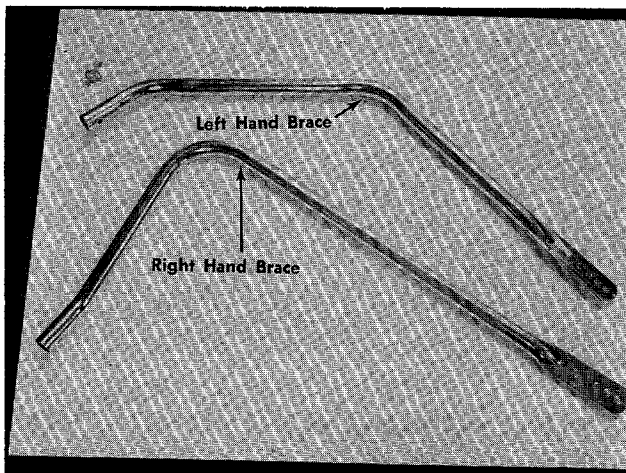


**FIGURE 5 LOWER HANDLE ASSEMBLY**

**Step 1.**

- a. Place the lower handle in position on the frame.
- b. Place two (2) flat washers  $\frac{3}{8}$ " I.D. x  $1\frac{1}{4}$ " O.D. between the handle and frame only on the right hand side. See figure 5.
- c. Secure the right hand side of lower handle with one (1) Hex Hd. Bolt  $\frac{3}{8}$ -16 x 1" Long.  
NOTE: Just run bolt in two or three threads. Do not tighten.
- d. Secure the left hand side of lower handle with one (1) Hex Hd. Bolt  $\frac{3}{8}$ -16 x  $\frac{5}{8}$ " Long.

NOTE: No washers are required for the left hand side. Again just run the bolt in two or three threads. Do not tighten.

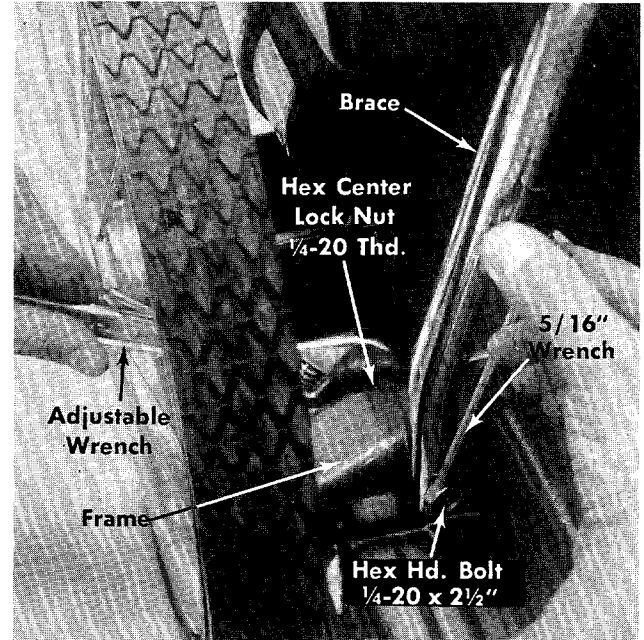


**FIGURE 6. RIGHT AND LEFT HAND BRACE**

**Step 2.**

- a. Place the right hand brace in position on frame and secure with one (1) Hex Hd. Bolt  $\frac{1}{4}$ -20 x  $2\frac{1}{2}$ ". Refer to figures 6 and 7.

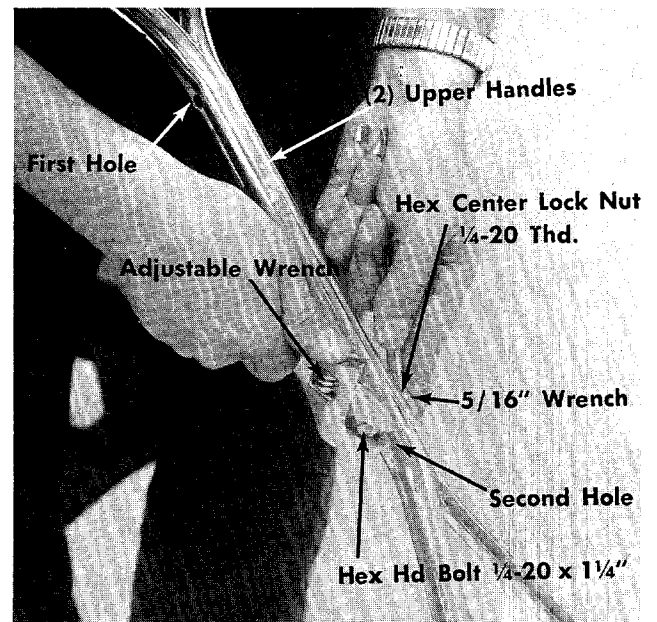
NOTE: Do not tighten.



**FIGURE 7. BRACE ASSEMBLY**

- b. Place the left hand brace in position on frame and secure with one (1) Hex Hd. Bolt  $\frac{1}{4}$ -20 x  $2\frac{1}{2}$ ". Refer to figures 6 and 7.

NOTE: Do not tighten.



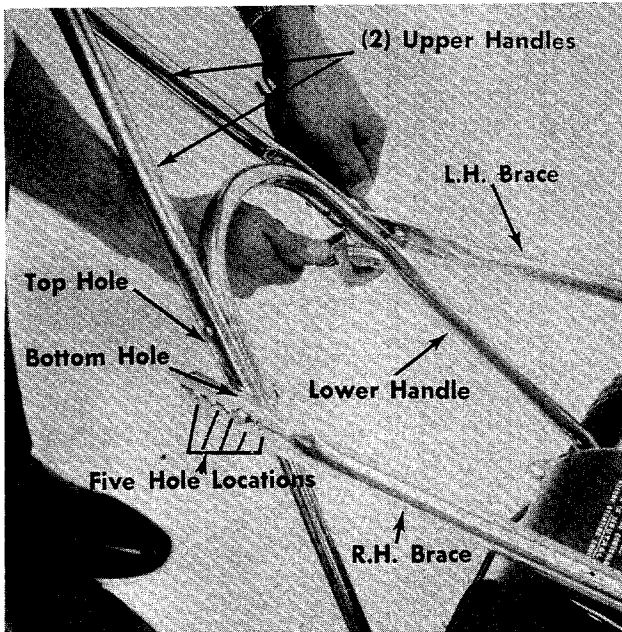
**FIGURE 8. UPPER HANDLE ASSEMBLY**

- c. Place the two (2) upper handles together using the second hole. See figure 8.

- d. Secure the two (2) upper handles together with one (1) Hex Hd. Bolt  $\frac{1}{4}$ -20 x  $1\frac{1}{2}$ " and one (1) Hex Center Lock Nut  $\frac{1}{4}$ -20 Thd.

NOTE: Do not tighten. See figure 8.

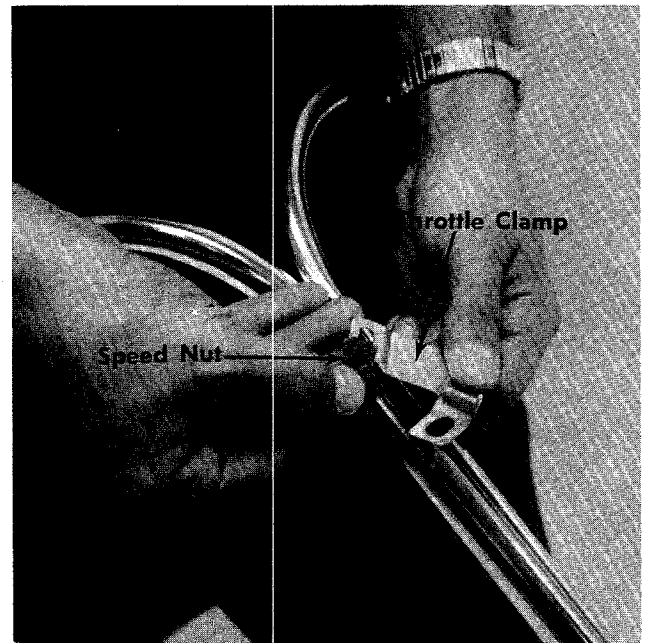
- e. Place the two (2) upper handles assembled in position with the lower handle. See figure 9.



**FIGURE 9. HANDLE AND BRACE ASSEMBLY**

- f. Place a bolt, regardless of length, in the top hole of the lower handle to help hold handle in position when working.
- g. The right and left hand braces have five (5) hole locations for mounting the braces to the lower handle. The reason for having five (5) hole locations is so that you may adjust the handle height to suit you.
- h. Upon selecting the desired height of handle, secure with one (1) Hex Hd Bolt  $\frac{1}{4}$ -20 x  $1\frac{1}{2}$ " and one Hex Center Lock Nut  $\frac{1}{4}$ -20 Thd.

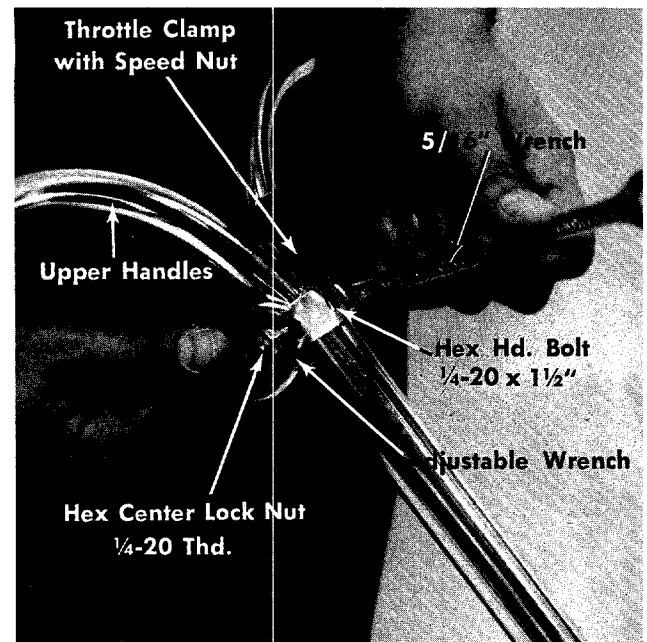
NOTE: Use the bottom hole of lower handle only. See figure 9. Do not tighten.



**FIGURE 10. THROTTLE CLAMP ASSEMBLY**

Step 3.

- a. Place the speednut on the throttle clamp. See figure 10.

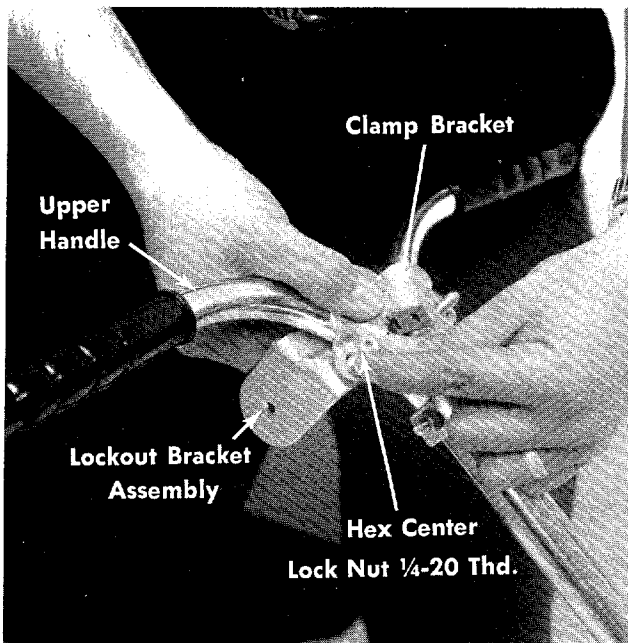


**FIGURE 11. THROTTLE CLAMP ASSEMBLY**

- b. Place the throttle clamp with speed nut in position on upper handle.

NOTE: Be sure the speed nut is towards the top of handle. See figure 11.

- c. Secure the throttle clamp with one (1) Hex Hd. Bolt  $\frac{1}{4}$ -20 x  $1\frac{1}{2}$ " Long and one (1) Hex Center Lock Nut  $\frac{1}{4}$ -20 Thd.

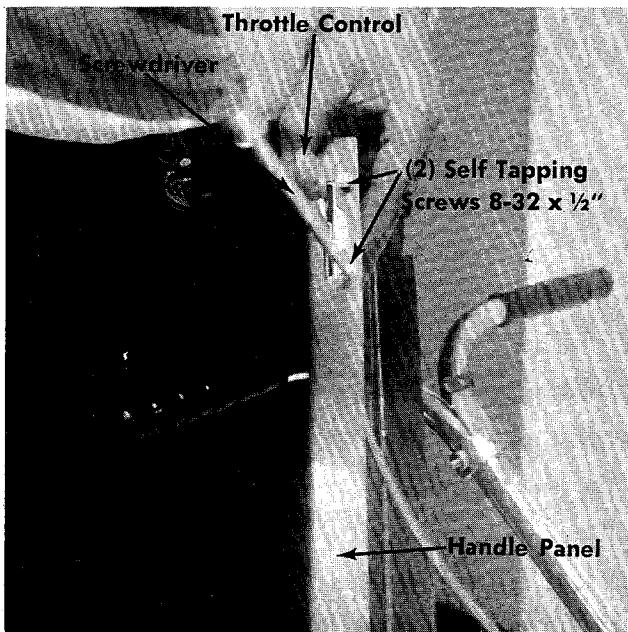


**FIGURE 12. LOCKOUT BRACKET ASSEMBLY**

- d. Place the lockout bracket assembly under the "T" portion of the upper handle with the bolt ends facing up. See figure 12.
- e. Place the clamp bracket over the bolt ends in the lockout bracket assembly and secure with three (3) Hex Center Lock Nuts  $\frac{1}{4}$ -20 Thd. See figure 12. Tighten nuts tight.

**Step 4.**

- a. Start the two (2) self tapping screws 8-32 x  $\frac{1}{2}$ " in by hand which hold the throttle control to the handle panel. See figure 13.

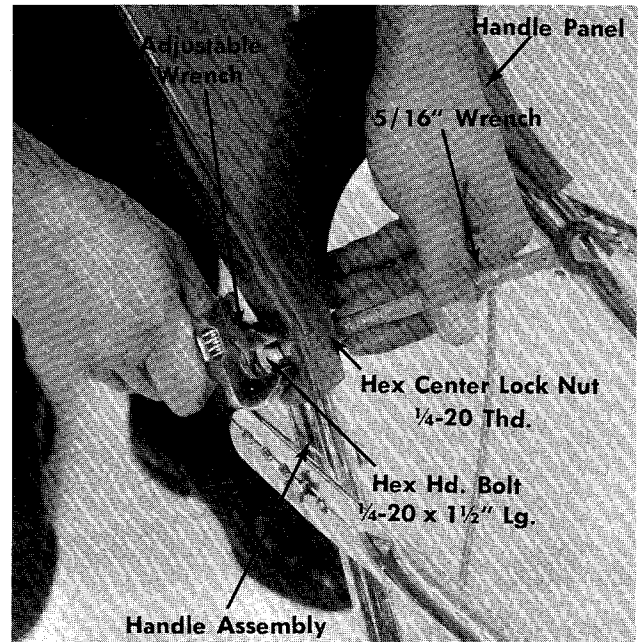


**FIGURE 13. THROTTLE ASSEMBLY TO PANEL**

- b. Secure two (2) Self Tapping Screws 8-32 x  $\frac{1}{2}$ " holding throttle control to handle with a screwdriver tightly. See figure 13.

**Step 5.**

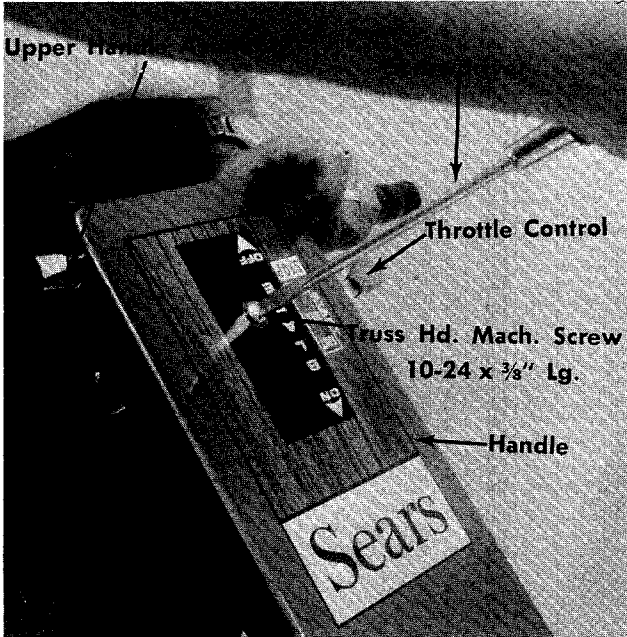
- a. Place the handle panel with throttle control attached in position on handle assembly. See figure 14.



**FIGURE 14. HANDLE PANEL ASSEMBLY TO HANDLE**



- b. Secure bottom of handle panel to handle assembly with two (2) Hex Hd. Bolts  $\frac{1}{4}$ -20 x  $1\frac{1}{2}$ " and two (2) Hex Center Lock Nuts  $\frac{1}{4}$ -20 Thd. See figure 14.
- c. Secure top of handle panel to speed nut with one (1) Truss Hd Machine Screw 10-24 x  $\frac{3}{8}$ " Long. See figure 15.



**FIGURE 15. HANDLE PANEL ASSEMBLY TO HANDLE**

**Step 6.**

- a. Tighten all nuts and bolts on handle assembly, braces and handle to frame, securely with wrenches.

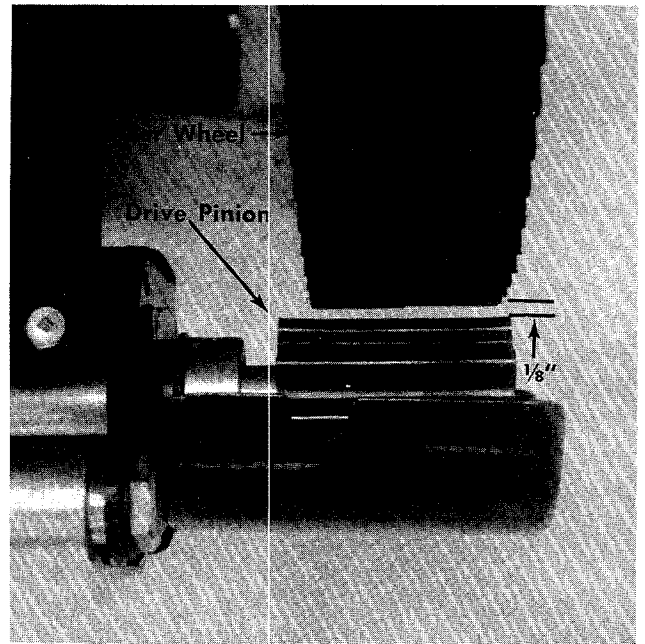
- Step 7.** Assemble one of the control rods and lockout levers to the self-propelling mechanism with the ferrule (G) and washer (H) at the bottom and washer (F) and nut (E) on the lockout lever as shown in figures 17 and 18.

**NOTE**

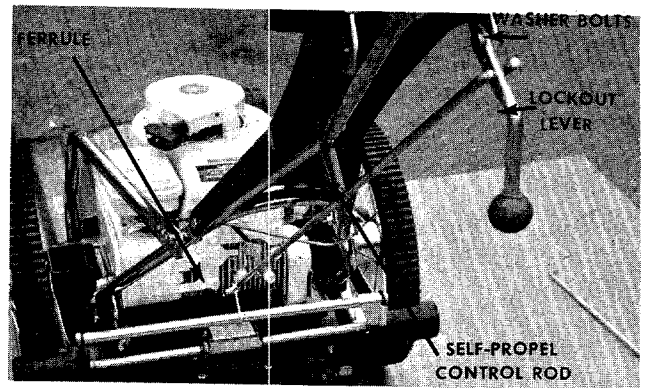
Both lockout levers and rods are the same. Be sure the control rod is on the Left Hand side of the lockout lever as shown in figure 17.

**CAUTION**

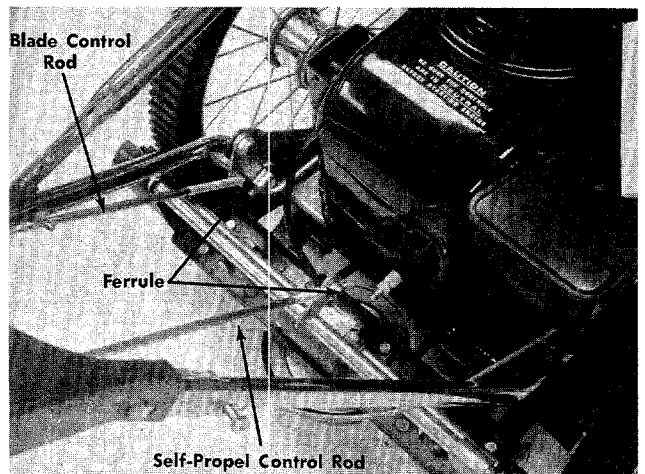
Check the distance between the drive pinions and the rear tires. When the lockout lever is disengaged, the pinion should be no more than  $\frac{1}{8}$ " from the rear tire. Adjust the rod in the ferrule if necessary to obtain the  $\frac{1}{8}$ " distance. See figure 16.



**FIGURE 16 DRIVE PINION CLEARANCE**



**FIGURE 17. SELF-PROPEL CONTROL ASSEMBLY**

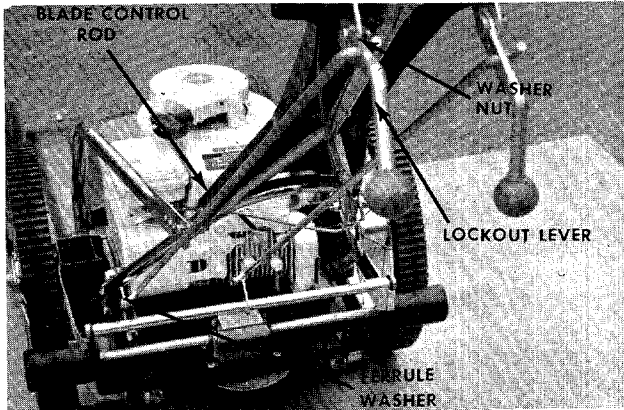


**FIGURE 18. FERRULE ADJUSTMENT**

Step 7. Assemble the other control rod and lockout lever to the pivot lever on the lower Left Hand side of the mower with ferrule and washer. Assemble the lockout lever to the upper handle with washer and nut as shown in figures 18 and 19.

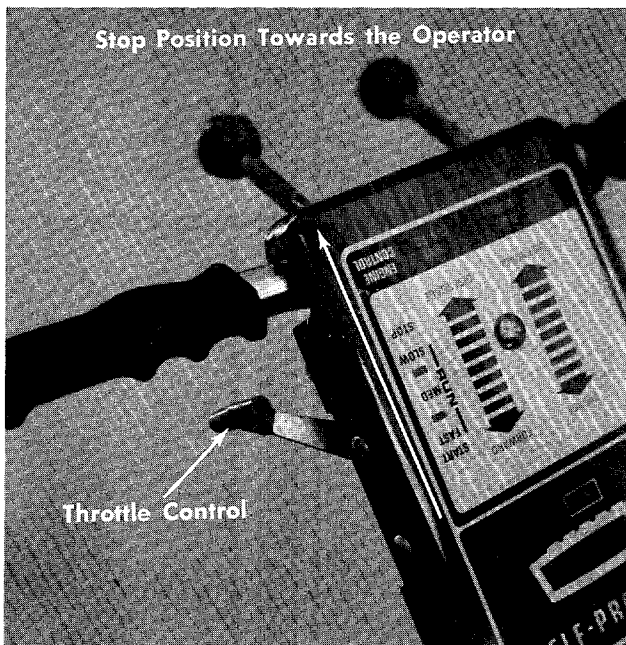
**NOTE**

With the blade lockout lever in the disengaged position, adjust the rod in the ferrule so that there is just enough resistance to hold the blade lockout lever in place.



**FIGURE 19. BLADE CONTROL ASSEMBLY**

**CONTROLS**



**FIGURE 20. THROTTLE CONTROL STOP POSITION**

1. Figure 20 shows throttle control in the STOP position. Throttle should remain in this position any time the unit is not in use or when any maintenance is being performed.



**FIGURE 21. THROTTLE CONTROL START POSITION**

2. Figure 21 shows throttle control in the START position.



**FIGURE 22. LOCKOUT LEVERS DISENGAGED**

3. Figure 22 shows lockout lever in the OFF position (Disengaged) lever all the way up. Lockout levers must remain in this position when starting.

# OPERATION

## CAUTION

Stop the engine and disconnect the spark plug wire from the spark plug before making any adjustments. See figure 25.

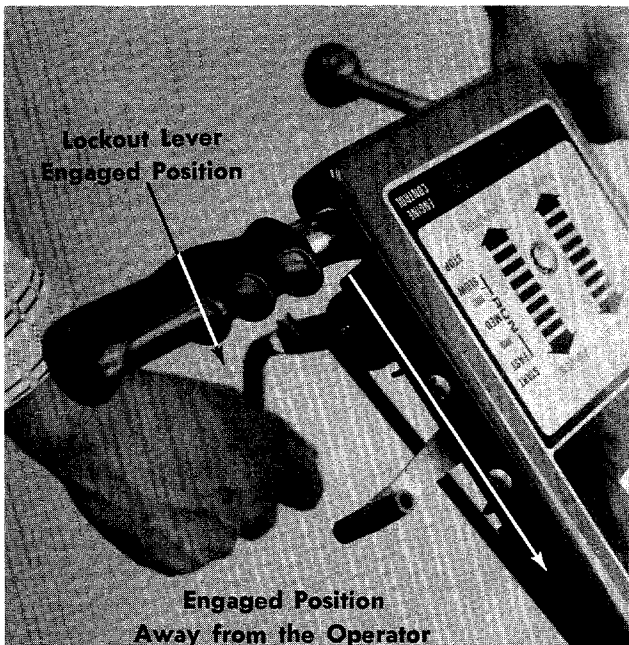


FIGURE 23. DRIVE MECHANISM ENGAGED

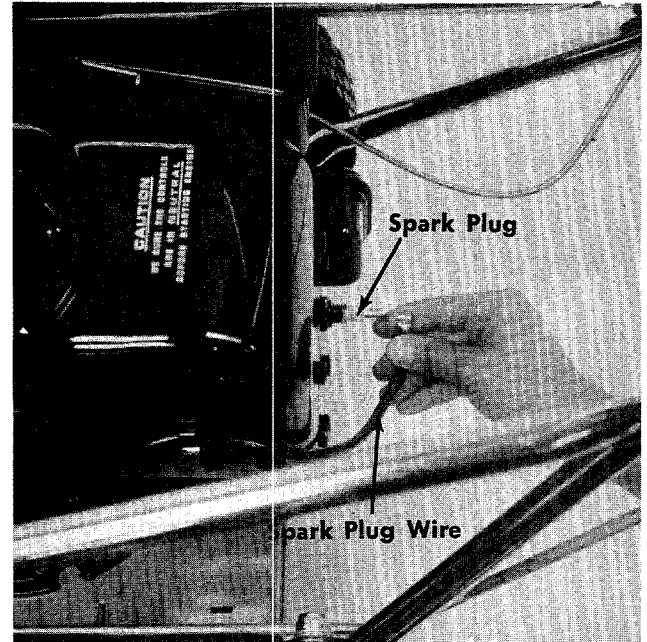


FIGURE 25. SPARK PLUG WIRE BEING REMOVED

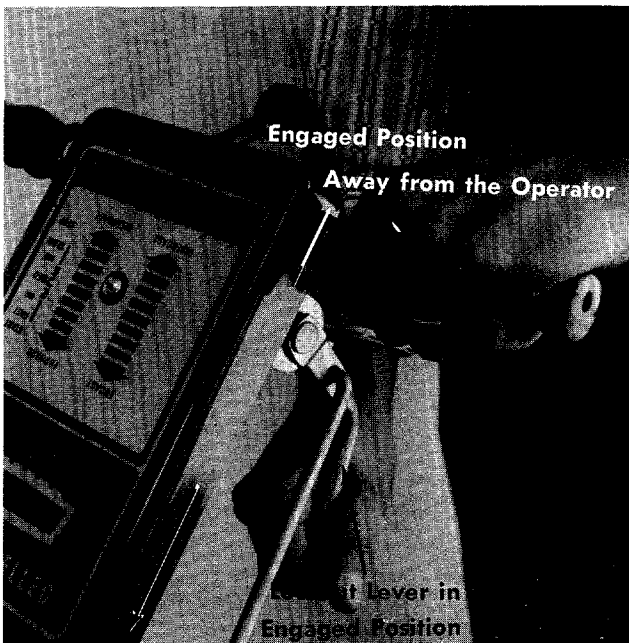


FIGURE 24 BLADE ENGAGED

4. Figures 23 and 24 show lockout levers engaged and locked over center.

1. Blade Spindle Assembly—The blade spindle assembly is equipped with a grease fitting. Use grass discharge chute for access to the fitting located under the deck. Use multi-purpose grease. **Lubricate PRIOR to initial use and every 25 hours thereafter.** See figure 26.

**CAUTION:** Be sure spark plug wire is disconnected and grounded. See figure 25.

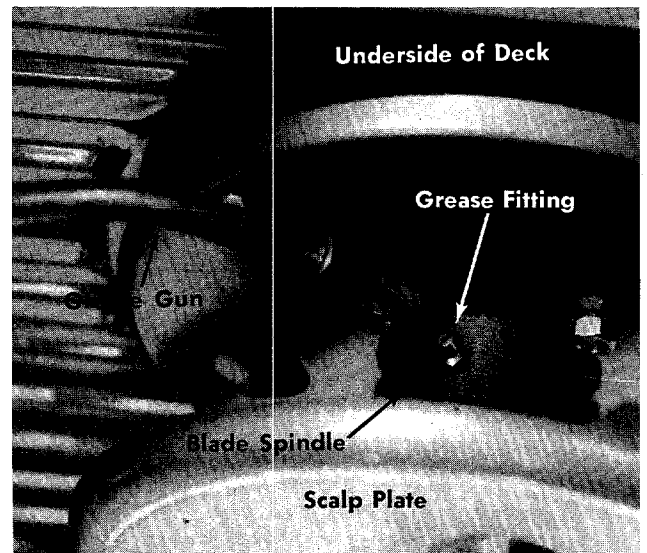


FIGURE 26. INITIAL LUBRICATION OF BLADE SPINDLE ASSEMBLY

2. Service engine with clean fresh regular gasoline.
3. Service engine with SAE 30 weight motor oil. Fill oil fill opening to overflow. See figure 27.



FIGURE 27. OIL FILL LOCATION

4. Move the lockout lever to the DISENGAGED position. (All the way towards the operator.)
5. Move the throttle control lever to the START position. (All the way forward.)
6. Put blade into motion by moving blade control handle to ON position.  
To engage the blade with the engine running:
  - a. Move the throttle control lever to FAST position.
  - b. Engage the blade engagement handle SLOWLY.
  - c. Adjust engine speed.
7. Appropriate clothing should be worn when cutting brush or heavy weeds. Safety shoes and safety glasses are highly recommended.



## TO START THE ENGINE

1. Be sure the engine has been serviced with the proper oil and fuel.
2. Move the lockout lever to the DISENGAGED position.
3. Move the throttle control lever to the START position.
4. Place one foot on the left side of the deck. See figure 28.
5. Grasp the starter handle and pull out sharply and hold it in the out position. (Do not let cord snap back.) The cord should not be pulled out more than about two feet. If the engine fails to start, allow the cord to wind back into the housing, then pull out sharply again. Refer to figure 28.

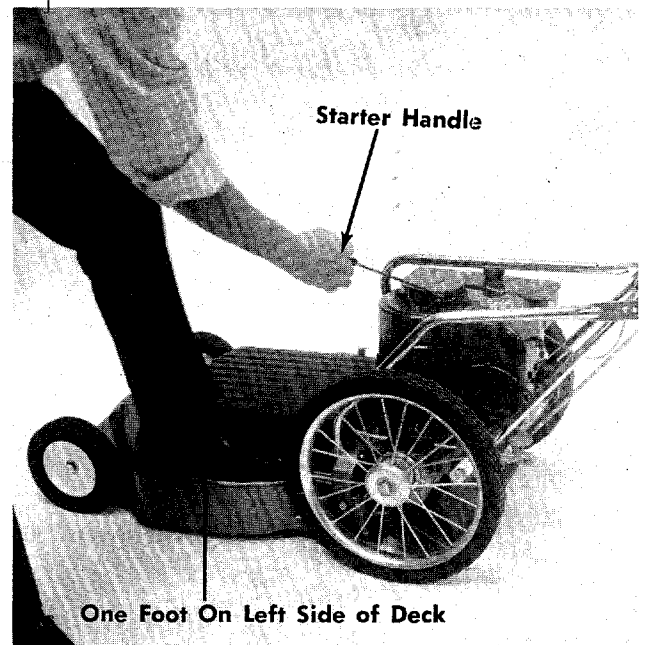


FIGURE 28. STARTING

## EFFICIENT OPERATION

### CAUTION

Stop the engine and disconnect the spark plug wire from the spark plug before making any adjustments.

8. The operation of any powered outdoor equipment can result in foreign objects being thrown into the eyes, which can result in severe eye damage. Always wear safety glasses or eye shields before commencing power tool operation. We recommend Wide Vision Safety Mask for over spectacles, or standard safety glasses... available at Sears retail or catalog stores.
1. Deck—The underside of mower deck should be cleaned after each period of use as grass clippings, leaves, dirt and other matter accumulates. This accumulation of grass clippings, etc., is undesirable as it will invite rust and corrosion and may cause an uneven discharge of grass clippings at next cutting.

- The deck may be cleaned by tilting the mower backward or on its side and scraping clean with a suitable tool or by washing with a stream of water from a garden hose.

### **CAUTION**

Do not direct the stream of water at a hot engine as damage to the engine may result.

- For best results do not cut wet grass because it tends to stick to the underside of the mower, thus preventing proper discharge of grass clippings. If wet grass must be cut, reduce walking speed to help distribute the clippings more effectively.

New grass should be treated as wet grass, otherwise a normal walking speed is about the right pace for efficient mowing.

The best mowing pattern is one that allows the clippings to discharge towards the uncut part of the lawn. This permits recutting of the clippings to further pulverize them. When cutting high weeds, discharge towards cut portion then recut at right angle to first direction.

Lawns should be cut in fall as long as there is growth.

### **WARNING**

- The mower should not be operated without the entire grass catcher or chute deflector in place.
- The mower should not be operated without the protective shield on the rear of the deck in place.

### **IMPORTANT**

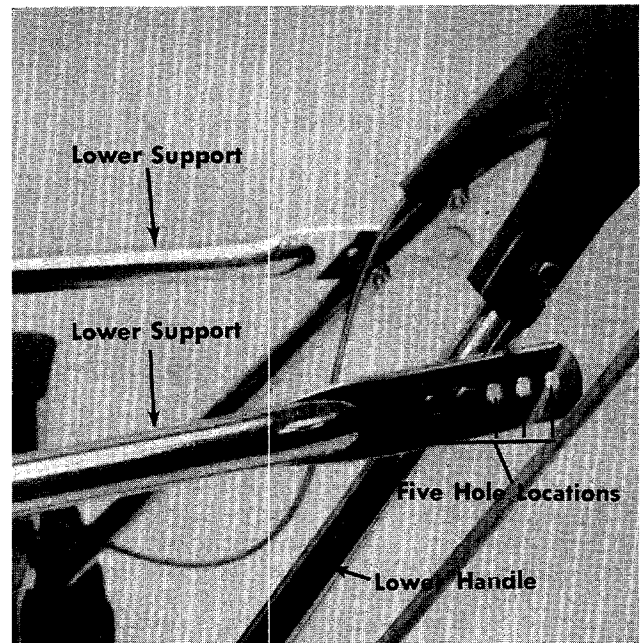
After striking a foreign object, stop the engine (motor), remove wire from spark plug. Thoroughly inspect the mower for any damage and repair the damage before restarting and operating the mower.

## **ADJUSTMENT**

### **CAUTION**

Stop the engine and disconnect the spark plug wire from the spark plug before making any adjustments.

- Handles may be adjusted by changing the position of the lower support mounting holes. When this change is made, it may also be necessary to check the adjustment of the control rod. See figures 29 and 30.



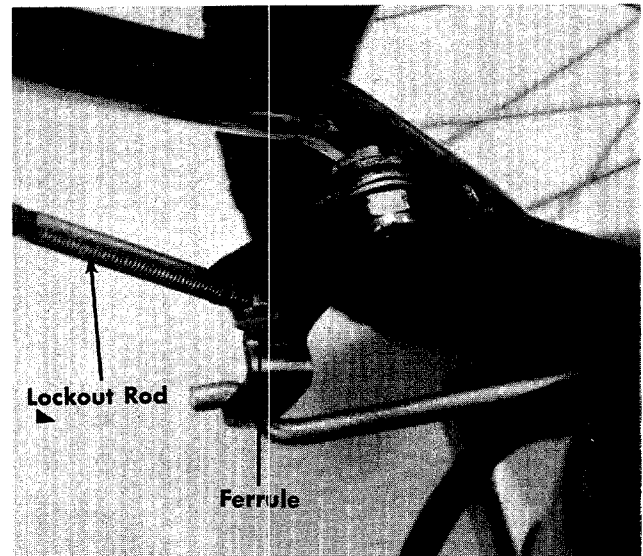
**FIGURE 29. HANDLE ADJUSTMENT**

- Remove hex lock nut holding the lockout lever in position.
- Remove the hex head bolts and nuts holding the lower supports to lower handle.
- Position handle for desired height and reassemble lower supports to the lower handle. See figure 29.

### **CAUTION**

Stop the engine and disconnect the spark plug wire from the spark plug before making any adjustments.

- Lockout rod adjustment is made as shown in figure 30.



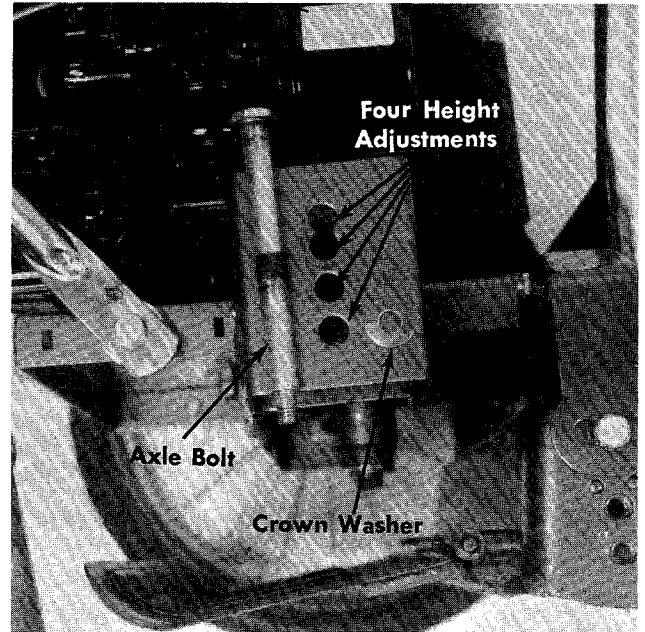
**FIGURE 30. LOCKOUT ROD ADJUSTMENT**

2. Remove the hex lock nut holding the lockout lever in position.
3. Turn the lockout rod and lever in or out of the ferule until the lockout lever lines up with the lockout bracket.
4. Secure lockout lever in position with hex lock nut.

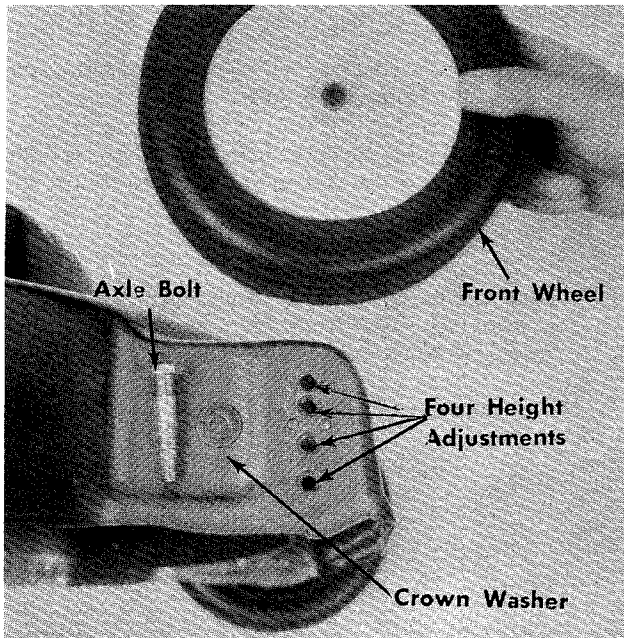
**CAUTION**

Stop the engine and disconnect the spark plug wire from the spark plug before making any adjustments.

1. Cutting height adjustment is made by removing and moving axle bolts to the desired positions. All axle bolts must be mounted in the same relative position to the deck. When wheels are mounted to the deck, the crown shape washers must be assembled with the crown away from the deck. This is necessary to prevent the axle bolts from loosening. Refer to figures 31, 32 and 33.

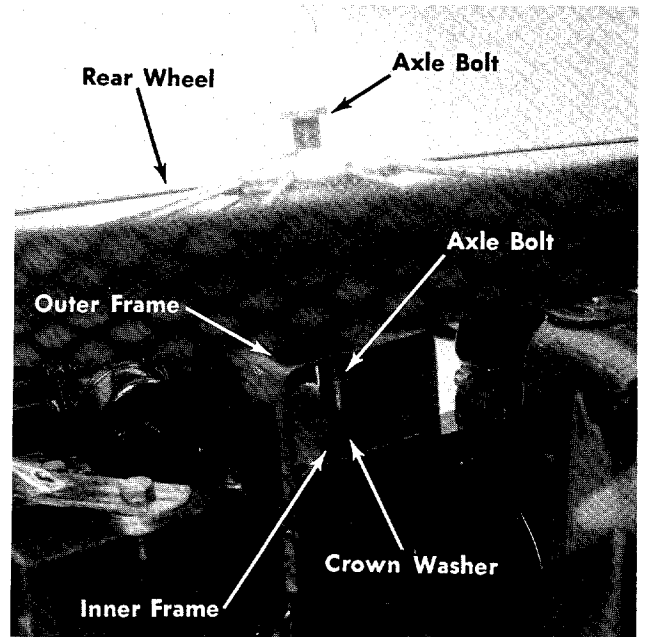


**FIGURE 32. REAR WHEEL HEIGHT ADJUSTMENT**



**FIGURE 31. FRONT WHEEL HEIGHT ADJUSTMENT**

2. Upon reassembling the rear wheel, be sure the crown washer is positioned in the inner frame bracket. See figure 32.



**FIGURE 33. CROWN WASHER LOCATION FOR REAR WHEEL**

**CAUTION**

Stop the engine and disconnect the spark plug wire from the spark plug before making any adjustments.

1. Throttle Control—If throttle adjustment becomes necessary, the throttle control wire may be reset as follows:
  - a. Loosen, but do not remove, screw securing throttle control wire assembly at engine.
  - b. Move throttle control lever on handle to START position.
  - c. Move lever to which control wire is fastened to engine to full START position. Retighten screw to secure throttle control wire assembly. See figure 34.

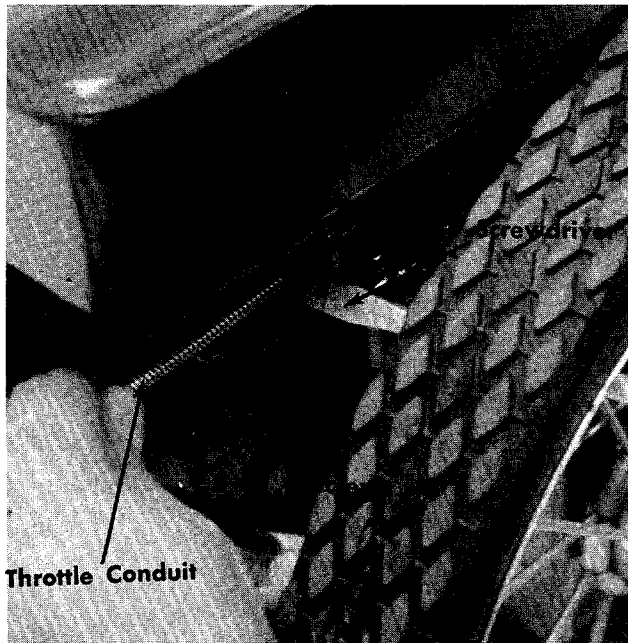


FIGURE 34. THROTTLE ADJUSTMENT

## MOWER LUBRICATION

### CAUTION

Stop the engine and disconnect the spark plug wire from the spark plug before making any adjustments.

1. Wheel bearings are ball bearings front and rear. Lubricate at least once a season with SAE 30 weight motor oil.
  - a. Front wheels to be oiled at the axle bolt.
  - b. Rear wheels to be oiled at oil caps in rear wheel. See figure 35.

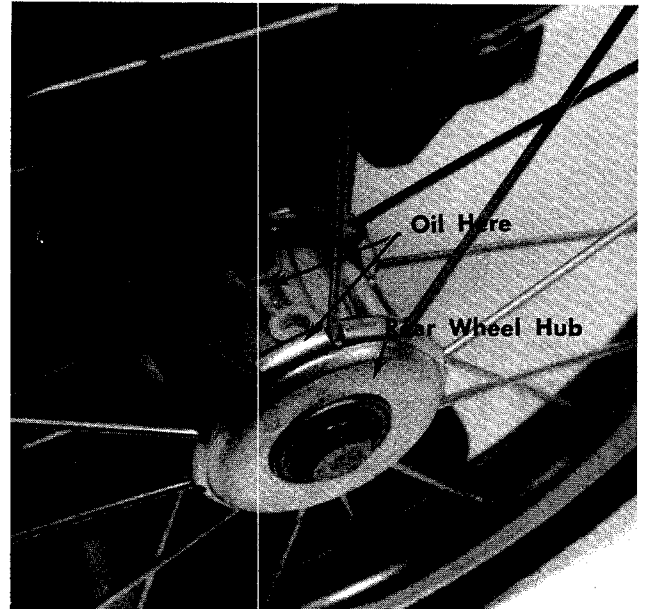


FIGURE 35. REAR WHEEL LUBRICATION

### CAUTION

Stop the engine and disconnect the spark plug wire from the spark plug before making any adjustments.

2. Throttle—Periodically lubricate throttle control lever and entire length of throttle wire assembly with a few drops of SAE 30 engine oil for ease of operation.

### CAUTION

Stop the engine and disconnect the spark plug wire from the spark plug before making any adjustments.

3. Friction point between idler bracket assembly and deck should be greased once each season with a multi-purpose grease. See figure

### CAUTION

Stop the engine and disconnect the spark plug wire from the spark plug before making any adjustments.

4. Protective Shield—The pivot points on the protective shield should be lubricated periodically with oil to prevent any rust or binding up.

### CAUTION

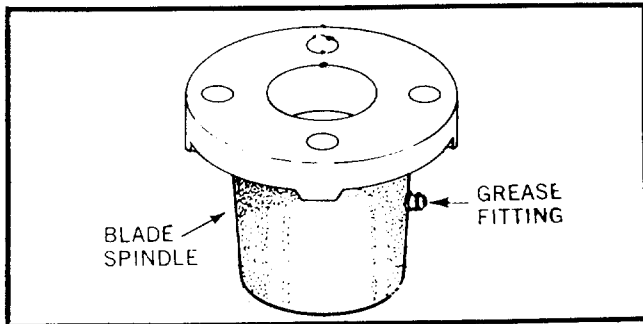
Stop the engine and disconnect the spark plug wire from the spark plug before making any adjustments.

### 5. Blade Spindle Assembly

The blade spindle assembly, located on the underside of the mowing deck, is equipped with a grease fitting. Use grass discharge chute for access to the fitting located under the deck. Use multi-purpose grease. Lubricate prior to initial use and every 25 hours thereafter. See figure 36.

#### **CAUTION**

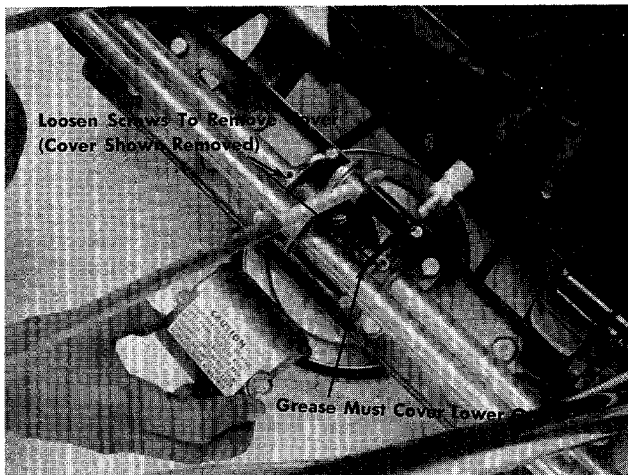
Be sure spark plug wire is disconnected and grounded.



**FIGURE 36. BLADE SPINDLE**

### 6. Gear Box

Check lubricant in the self-propelled drive gear box. This must be maintained half full at all times and should be checked after each 25 hours of operation. The gear box is packed at the factory with Alduralube Heavy or Temprite No. 2. It is suggested that this or an equivalent type and quality fibrous high heat wheel bearing grease be used in maintaining this mechanism. Grease can be ordered by part number 727-111. Horizontal bronze bearings under the self-propelled drive mechanism should be lubricated with SAE 30 engine oil. Refer to figure 37.



**FIGURE 37. GEAR BOX LUBRICATION**

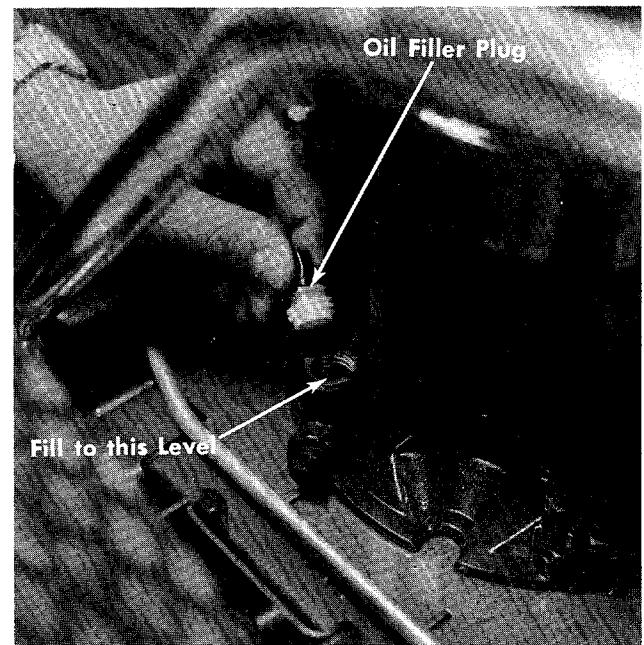
7. Chute Deflector—The torsion spring and pivot point should be lubricated periodically with oil to prevent any rust or binding up. Deflector must work freely.

## ENGINE LUBRICATION

#### **CAUTION**

Stop the engine and disconnect the spark plug wire from the spark plug before making any adjustments.

1. Position equipment so that engine is setting level. Remove oil filler plug. See figure 38.



**FIGURE 38. OIL FILL LOCATION**

2. Pour oil into opening which you removed the oil filler plug from.
3. During initial "Break-in" period oil level should be watched closely.

Oil . . . Use the following:

Summer—Above 32°F—SAE 30 (SAE 10W30 is an acceptable substitute).

Winter—Below 32°F—SAE 5W20 (SAE 10 or 5W30 are acceptable substitutes).

Winter—Below 0°F Only—SAE 10W with 10% kerosene.

4. Change oil first two (2) hours of operation and check oil level every five (5) operating hours or each time equipment is used.
5. Change oil every twenty-five (25) operating hours or sooner if equipment is operated in extremely dusty or dirty conditions.
6. Oil can be changed by removing the oil drain plug located on the right hand side of the engine. See figure 39.



- Tip mower on its right hand side and remove the oil drain plug.



FIGURE 39. OIL DRAIN LOCATION

## ENGINE MAINTENANCE

### CAUTION

Stop the engine and disconnect the spark plug wire from the spark plug before making any adjustments.

To obtain long life and trouble-free service from your engine, certain normal maintenance must be performed as outlined below:

- Check unit on which engine is mounted. Hard starting can result if blades are loose, belts or chains too tight, etc. Periodically check bowden wire controls. If the wire has loosened it may not put the carburetor on full choke when starting or open the throttle wide enough for the RUN or FAST position.
- Change oil in crankcase after first two (2) hours of operation. Then, follow instructions outlined under OIL, page 16.

### CAUTION

Disconnect high tension wire at spark plug to prevent accidental starting of engine. Unscrew oil drain plug located on side of engine (figure 1).

### NOTE

Always tip engine toward oil drain hole.

Be sure oil drains completely.

Replace oil drain plug and refill with oil as directed on page 1, or engine nameplate.

- CHECK OIL every five (5) operating hours or each time equipment is used.
  - If engine has dip stick, keep oil level at mark indicated by adding if necessary.
- CLEANING ENGINE—This is an air-cooled engine which operates most efficiently when the cooling fins are clean. Clean cylinder fins and underside of tank or housing thoroughly of all accumulated grass and debris.
- AIR CLEANERS—
  - Polyurethane Type—Serviceable. Clean element every ten (10) hours or oftener if engine runs rich and emits black smoke from the exhaust. Service by removing air cleaner cover. Remove polyurethane element and wash in detergent and water solution by squeezing similar to a sponge. Squeeze out cleaning solution. Re-oil element by applying generous quantity of oil to sides and open ends. Squeeze to distribute oil and to remove excess oil. Reinstall element and air cleaner cover as illustrated in figure 40.

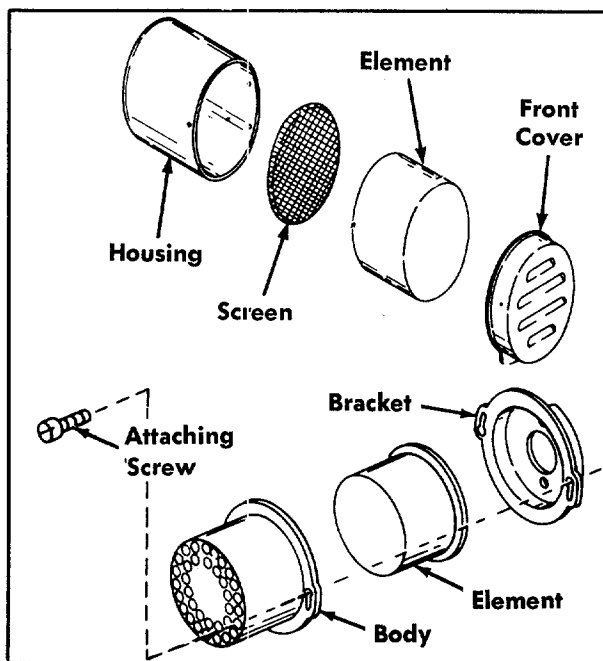


FIGURE 40.

# CARBURETOR ADJUSTMENTS

Do not make unnecessary adjustments. Factory settings are correct for most applications. If adjustments are needed, proceed as follows:

1. Close power adjusting needle (figure 41 or figure 42) by turning to right (clockwise). Close finger tight only. Forcing will cause damage.
2. Open one turn (counterclockwise).
3. Close idle adjusting needle (figure 41 or figure 42), by turning to right (clockwise). Close finger tight only. Forcing will cause damage.

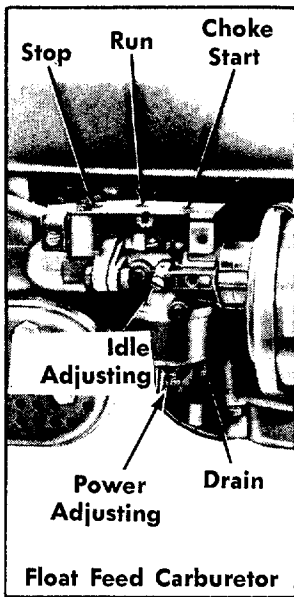


FIGURE 41.

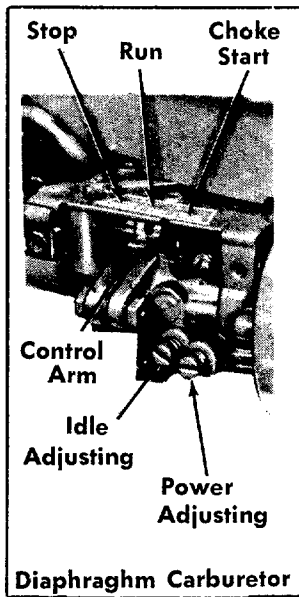


FIGURE 42.

4. Open one and one-half turns ( $1\frac{1}{2}$ ) counterclockwise (figure 41 or figure 42).
5. Start engine. Follow starting instructions.
6. With throttle open (carburetor control at RUN or FAST position), adjust power adjusting needle one-eighth ( $\frac{1}{8}$ ) turn at a time forward or backward until engine runs smoothly. If engine tends to stall under load, enrich slightly (counterclockwise).
7. Hold throttle lever closed or move carburetor control to IDLE or SLOW position and adjust idle adjusting needle until engine runs smoothly, proceeding as in step 6 above.
8. Allow several seconds between each adjustment when performing either step six (6) or seven (7) to allow engine to react to new setting.
9. Maximum engine speeds are preset at factory and should not be changed except by a qualified service station repairman who has the necessary equipment.

# STORAGE INSTRUCTIONS

In event engine is to be stored for any length of time (30 days or more) or at the end of mowing season, prepare as follows:

1. Drain gas tank completely by removing fuel line at the carburetor or fuel tank, whichever is easier.

## CAUTION

Drain into container outdoors away from fire or flame.

## 2. DRAIN CARBURETOR.

Drain by pressing upward on bowl drain (figure 7).

3. Inside protection of engine for storage is performed by removing spark plug and pouring one ounce of SAE 30 oil through spark plug hole into cylinder. Crank engine without starting several times to spread oil over cylinder walls.

**IMPORTANT:** A yearly checkup or tuneup by the SEARS Service Department is a good way of ensuring that your rotary mower will provide maximum performance for the next season.

Store the rotary mower in a protected area and cover the unit for additional protection.

# ENGINE SERVICE

Unless the operator is fully qualified to make engine adjustments and repairs, it is recommended that such work be done by technicians trained to work on rotary mower type gasoline engines.

The **Repair Parts** section of this manual contains a list of engine replacement parts and illustrations to assist the trained technician in making repairs and ordering proper replacement parts.

The following chart, **Trouble Shooting**, is provided as a guide for correcting minor problems when the trouble is known.

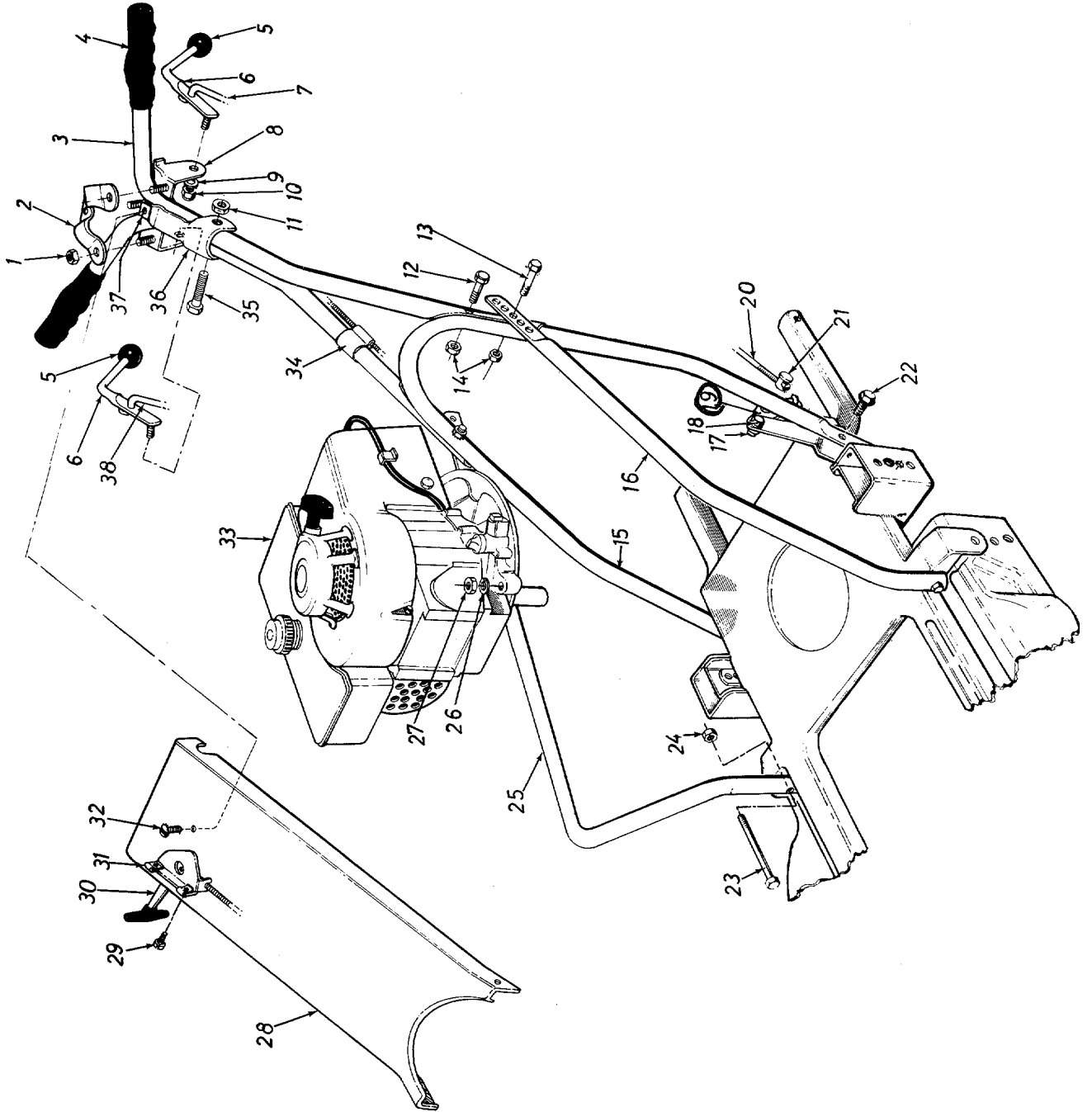
# TROUBLE SHOOTING CHART

CAUTION: ALWAYS DISCONNECT SPARK PLUG BEFORE ATTEMPTING ANY REMEDY.

TROUBLE	LOOK FOR	REMEDY
Engine fails to start.	Blocked fuel line or empty gas tank.	Clean fuel line; check fuel supply.
	Defective spark plug.	Spark plug lead wire disconnected.  Faulty spark plug—spark should jump gap between control electrode and side electrode. If spark does not jump, replace spark plug.
		NOTE: Use insulated pliers to hold the spark plug wire.
Hard starting or loss of power.	Throttle setting.	Throttle control lever not in the starting position.
	Loose connections	Spark plug wire loose.
	Dirty air cleaner.	Remove air cleaner and clean as outlined in paragraph <b>Engine Maintenance</b> .
Excessive vibration.	Carburetor improperly adjusted.	Review paragraph <b>Carburetor Adjustment</b> .
	Bent or damaged blade spindle.	Stop engine immediately; tighten all bolts and make all necessary repairs. If vibration continues, have the unit serviced by a competent repairman.
Unit fails to propel itself.	Loose parts.	Stop engine immediately; tighten all bolts and make all necessary repairs.
	Drive belt loose or defective.	Adjust drive belt; replace if defective.
Unit fails to discharge grass.	Lockout rod adjustment.	Review paragraph on <b>Adjustments</b> , page 13.
	Discharge chute clogged.	Clean discharge chute and inside of deck.
Engine overheats.	Foreign object lodged in deck.	Remove object from deck. See CAUTION following step 1 in paragraph <b>Operation</b> .
	Obstructions in air passages.	Remove any obstruction from air passages in shroud.
	Grass and dirt in engine shroud.	Clean cooling fins.
	Oil level.	Fill crankcase to proper oil level.

# CRAFTSMAN HI WHEEL SELF-PROPELLED ROTARY MOWER MODEL 247.88110

repair parts

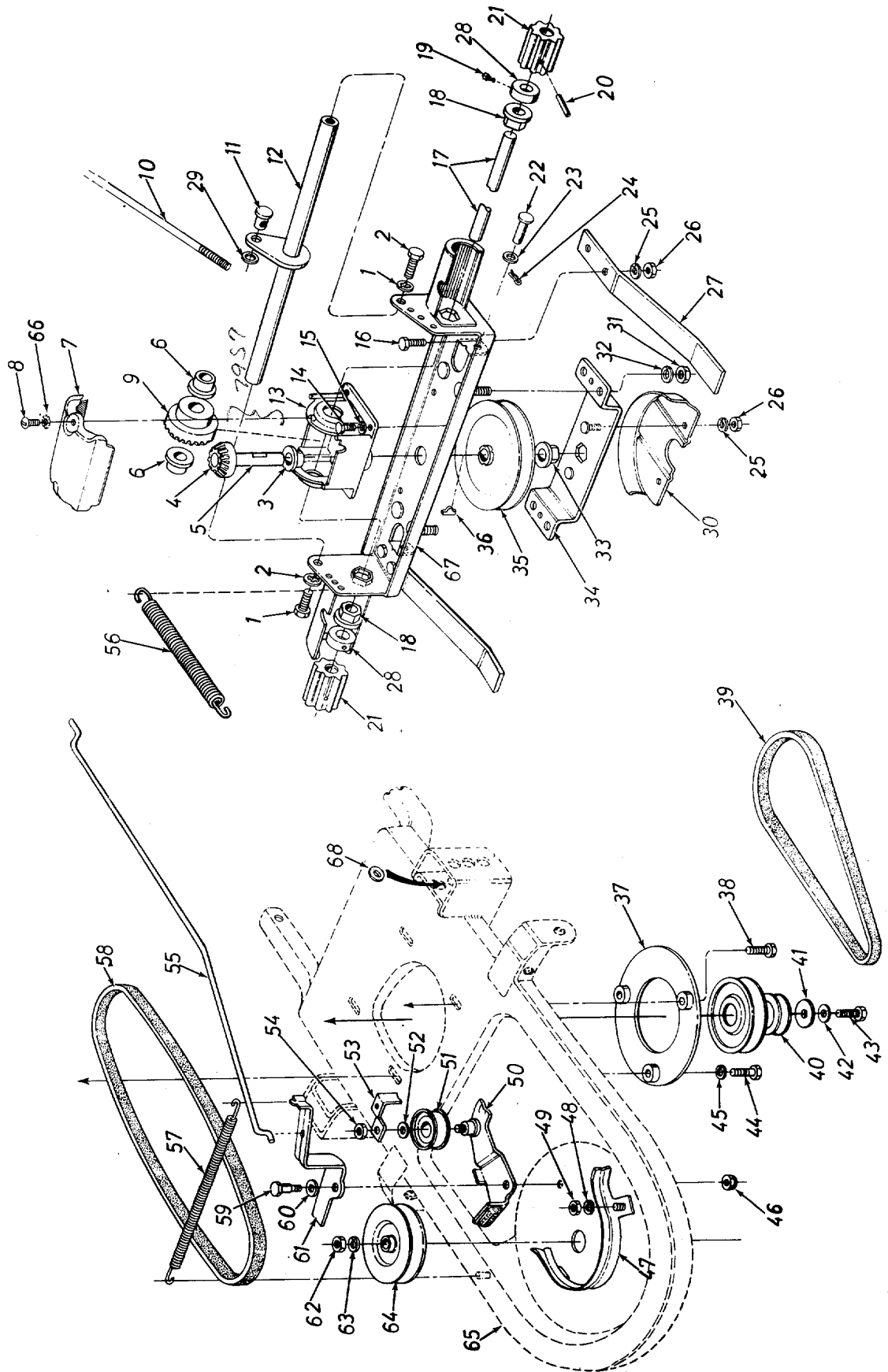


# CRAFTSMAN HI WHEEL SELF-PROPELLED ROTARY MOWER MODEL 247.88110

REF. NO.	PART NO.	DESCRIPTION	REF. NO.	PART NO.	DESCRIPTION
1	712-107	Hex Center Locknut 1/4-20 Thd.	20	711-180	Control Rod
2	8378	Clamp Bracket	21	711-179	Adjustment Ferrule
3	9354	Upper Handle (2-Req'd.)	22	710-253	Hex Scr. 3/8-16 x .62" Lg.*
4	720-157	Grip	23	710-102	Hex Scr. 1/4-20 x 2.50" Lg.*
5	7889	Plastic Ball	24	712-107	Hex Center Locknut 1/4-20 Thd.
6	8373	Lockout Lever Ass'y. with Plastic Ball	25	11991	Lower Handle Support—R.H.
7	711-180	Control Rod	26	736-119	Spring Lockwasher 5/16" Scr.*
8	8376	Lockout Bracket Ass'y.	27	712-123	Hex Nut 5/16-24 Thd.*
9	736-108	Flat Washer .510" I.D. x .75" O.D. x .033	28	11990-347	Handle Panel
10	712-107	Hex Center Locknut 1/4-20 Thd.	29	710-473	Truss Mach. Scr. # 10-24 x .50" Lg.*
11	712-107	Hex Center Locknut 1/4-20 Thd.	30	746-171	Throttle Control Ass'y.—Comp.
12	710-106	Hex Scr. 1/4-20 x 1.25" Lg.*	31	712-526	Speed Nut # 10-24
13	710-606	Hex Scr. 1/4-20 x 1.50" Lg.*	32	710-473	Truss Mach. Scr. # 10-24 x .50" Lg.*
14	712-107	Hex Center Locknut 1/4-20 Thd.	33	752-404	Engine Model No. V60-70259H
15	9362	Lower Handle	34	746-128	Cable Clip for 7/8" Tubing
16	8327	Lower Handle Support—L.H.	35	710-606	Hex Scr. 1/4-20 x 1.50" Lg.*
17	712-130	Hex Inserted Lockout 3/8-16 Thd.	36	7861	Clamp Bracket
18	738-234	Shoulder Scr. .500" Dia. x .295	37	712-526	Speed Nut # 10-24
19	9372	Pivot Bracket	38	711-180	Control Rod

# CRAFTSMAN HI WHEEL SELF-PROPELLED ROTARY MOWER MODEL 247.88110

repair parts

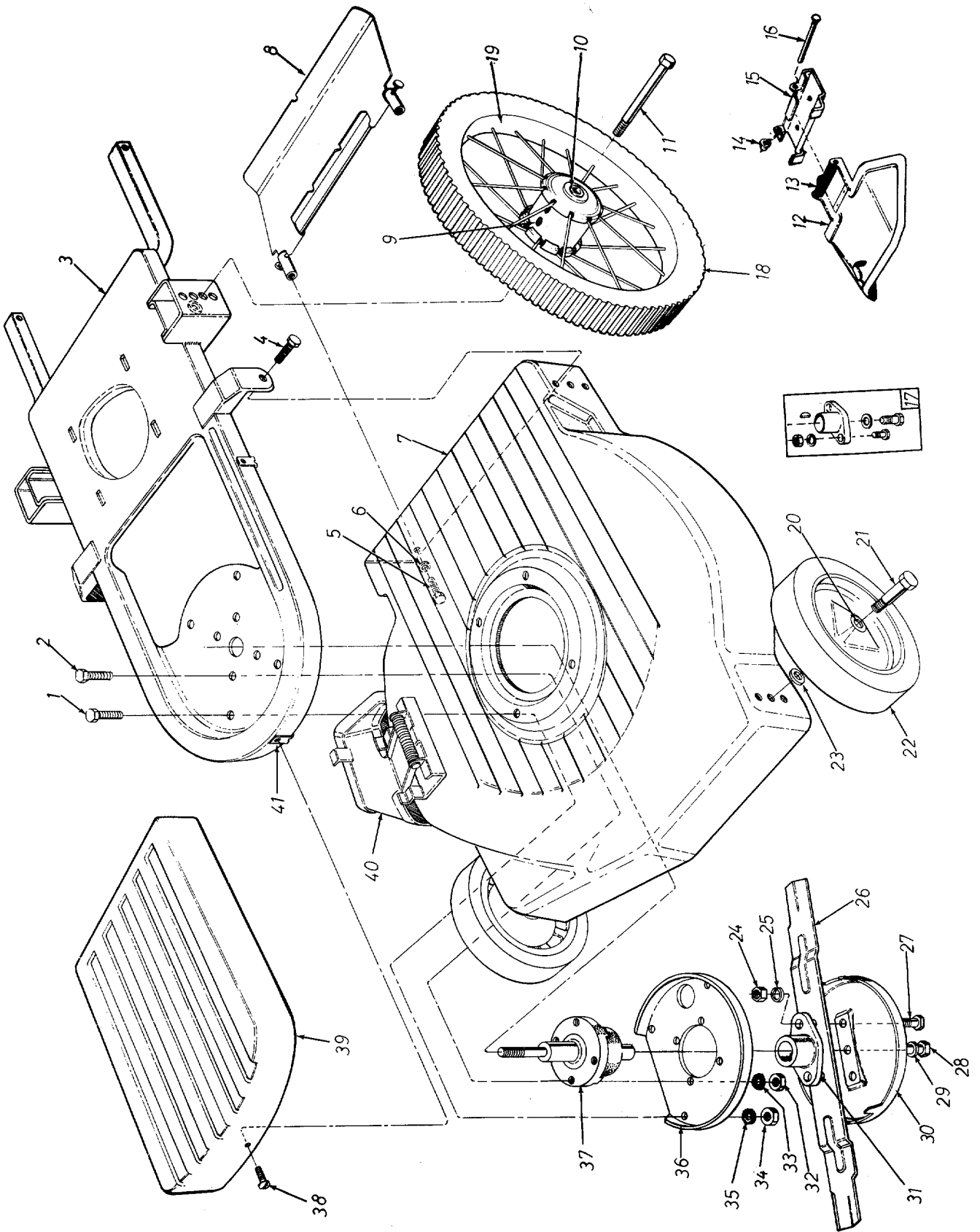


# CRAFTSMAN HI WHEEL SELF-PROPELLED ROTARY MOWER MODEL 247.88110

REF. NO.	PART NO.	DESCRIPTION	REF. NO.	PART NO.	DESCRIPTION
1	710-121	Hex Scr. 1/2-20 x .75" Lg. Special	37	11996-347	Spacer Plate Ass'y.
2	736-114	Internal Lockwasher 1/2" Scr.*	38	710-409	Hex Scr. 5/16-24 x 1.75" Lg.*
3	748-108	Flange Bearing .503" I.D.	39	754-121	"V"-Belt 1/2" x 31.8" Lg. (Drive Belt)
4	748-136	Pinion Gear .50" I.D. 14 Teeth	40	756-205	Two Step Engine Pulley
5	7146	Pinion Shaft	41	736-235	Flat Washer .406" I.D. x 1.25" O.D. x .164
6	748-110	Flange Bearing .630" I.D.	42	736-217	Spring Lockwasher 3/8" Scr. Heavy Duty
7	8187-347	Gear Box Cover	43	710-152	Hex Scr. 3/8-24 x 1.00" Lg. Heat Treated
8	710-148	Hex Washer Hd. F-Tapp. Scr. #8-32 x .38" Lg.*	44	710-528	Hex Scr. 5/16-18 x 1 1/4" Lg.*
9	748-135	Bevel Gear .62" I.D.—28 Teeth	45	736-119	Spring Lockwasher 5/16" Scr.*
10	711-180	Control Rod	46	712-130	Hex Inserted Locknut 3/8-16 Thd.
11	711-179	Adjustable Ferrule	47	8324-347	Belt Guard
12	8331	Pull Bar Assembly	48	736-119	Spring Lockwasher 5/16" Scr.*
13	8189	Gear Box	49	712-267	Hex Nut 5/16-18 Thd.*
14	710-289	Hex Scr. 1/4-20 x .50" Lg.*	50	8298	Idle Bracket Ass'y. with Brake Shoe
15	736-329	Spring Lockwasher 1/4" Scr.*	51	756-370	Idle Bearing Ass'y.
16	710-252	Hex Scr. 1/4-20 x .75" Lg.*	52	736-300	Flat Washer .385" I.D. x .87" O.D. x .06
17	8348	Drive Shaft	53	7353	Belt Clip
18	748-110	Flange Bearing .630" I.D.	54	712-158	Hex Center Locknut 5/16-18 Thd.
19	710-421	Set Scr. 5/16-18 x .25" Lg.*	55	9373	Control Rod
20	715-247	Spring Pin Spirol 3/16" Dia. x 1.00" Lg.	56	732-137	Extension Spring
21	7120	Nylon Pinion	57	732-158	Blade Tension Spring
22	711-415	Clevis Pin .375" Dia.	58	754-109	"V"-Belt 1/2 x 43" Lg. (For Blade)
23	736-300	Flat Washer .385" I.D. x .87" O.D. x .06	59	738-234	Shoulder Scr. .500" Dia. x .295
24	714-121	Cotter Pin 5/32" Dia. x 1.00" Lg.*	60	736-108	Flat Washer .510" I.D. x .750" O.D. x .033
25	736-329	Spring Lockwasher 1/4" Scr.*	61	9371	Brake Lever
26	712-287	Hex Nut 1/4-20 Thd.*	62	712-922	Hex Jam Nut 1/2-20 Thd.
27	11867-347	Stop—Drive Plate	63	736-921	Spring Lockwasher 1/2" Scr.*
28	711-169	Collar 3/8" I.D.	64	9925	Sheave Ass'y.—4" Dia. (Blade Spindle)
29	736-108	Flat Washer .510" I.D. x .75" O.D. x .033	65	8279-347	Frame Ass'y.—Comp.
30	8772-347	Belt Guard	66	736-147	Extern Lockwasher #10
31	712-287	Hex Nut 1/4-20 Thd.*	67	10523-347	Top Drive Frame Ass'y.
32	736-329	Spring Lockwasher 1/4" Scr.*	68	736-105	Belleville Washer 3/8" I.D.
33	748-226	Hex Flange Bearing .503" I.D.			
34	8774-347	Bottom Frame Ass'y.			
35	9927	Sheave Ass'y.—5.50 x .50			
36	714-229	#2 Woodruff—Key 3/32 x 1/2" Dia. Hardened			

# repair parts

## CRAFTSMAN HI WHEEL SELF-PROPELLED ROTARY MOWER MODEL 247.88110

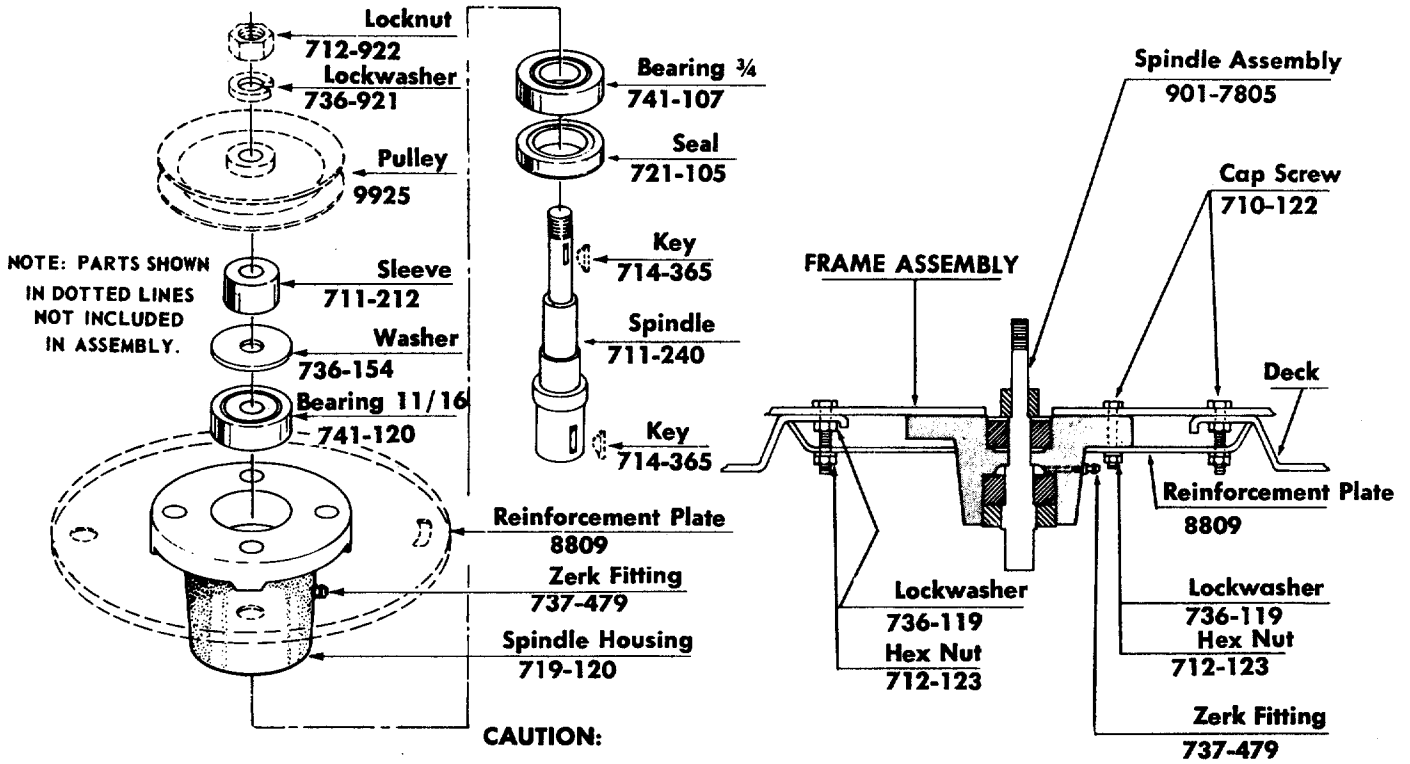




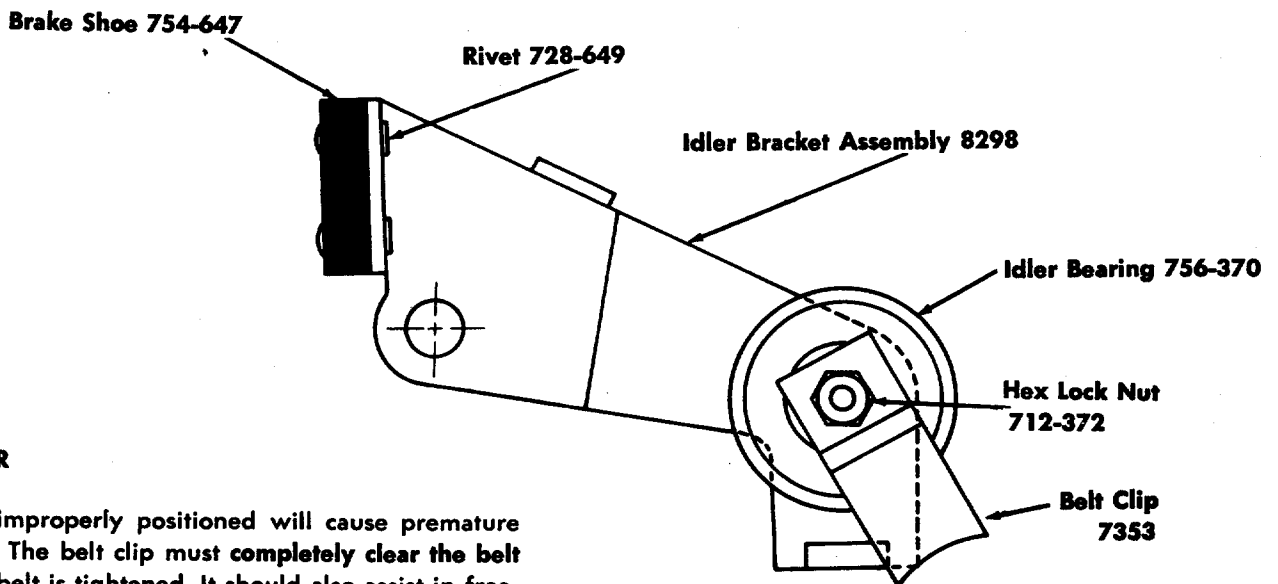
# CRAFTSMAN HI WHEEL SELF-PROPELLED ROTARY MOWER MODEL 247.88110

REF. NO.	PART NO.	DESCRIPTION	REF. NO.	PART NO.	DESCRIPTION
1	710-117	Hex Scr. 5/16-24 x 1.00" Lg. Heat Treated	22	9383-501	Front Wheel Ass'y. Comp.
2	710-158	Hex Scr. 5/16-24 x 1.25" Lg.*	23	736-105	Belleville Washer
3	8279-347	Frame Ass'y.—Complete	24	712-123	Hex Nut 5/16-24 Thd.*
4	710-209	Hex Sems Scr. 3/8-16 x .62" Lg.*	25	736-129	Spring Lockwasher 5/16" Scr.*
5	710-567	Hex Sems Scr. 1/4-28 x 3/8" Lg.	26	742-125	22" Blade
6	736-329	Spring Lockwasher 1/4" Scr.*	27	710-117	Hex Scr. 5/16-24 x 1.00" Lg. Heat Treated
7	11446-347	Deck Assembly	28	710-459	Hex Scr. 3/8-24 x 1.50" Lg. Heat Treated
8	11197-347	Protective Shield Ass'y.—Comp.	29	736-217	Spring Lockwasher 3/8" Scr. Heavy Duty
9	713-132	Oil Cap	30	7919	Scalp Plate
10	741-113	Ball Bearing .504" I.D. x 1.38" Dia.	31	748-189	Blade Adapter
11	738-114	Shoulder Scr. .498" Dia. x 4.755" Lg.	32	712-123	Hex Nut 5/16-24 Thd.*
12	11141-347	Chute Deflector Ass'y.	33	736-119	Spring Lockwasher 5/16" Scr.*
13	732-253	Torsion Spring	34	712-123	Hex Nut 5/16-24 Thd.*
14	726-106	Push Nut 1/4" Rod	35	736-119	Spring Lockwasher 5/16" Scr.*
15	11130-347	Adapter Plate	36	8809	Reinforcement Plate
16	711-555	Pivot Pin	37	7805	Blade Spindle Ass'y.—Comp.
17	10769	Blade Adapter Kit	38	710-473	Truss Mach. Scr. #10-24 x .50" Lg.*
18	734-438	16" Rear Wheel Ass'y. Comp.	39	731-230	Blade Spindle Cover
19	734-180	16" Rear Wheel—Less Tire	40	11679-347	Chute Deflector Ass'y.—Comp.
	734-391	Semi Pneumatic Tire 16 x 1.75 Gear Tread	41	712-526	Speed Nut #10-24
20	741-114	Ball Bearing .504" I.D. x 1.12" Dia.	42	770-4447	Owners Manual (Not Illustrated)
21	738-213	Shoulder Scr. .498" Dia. x 1.450" Lg.	43	775-1121	Model Plate (Not Illustrated)

## BLADE SPINDLE ASSEMBLY 901-7805

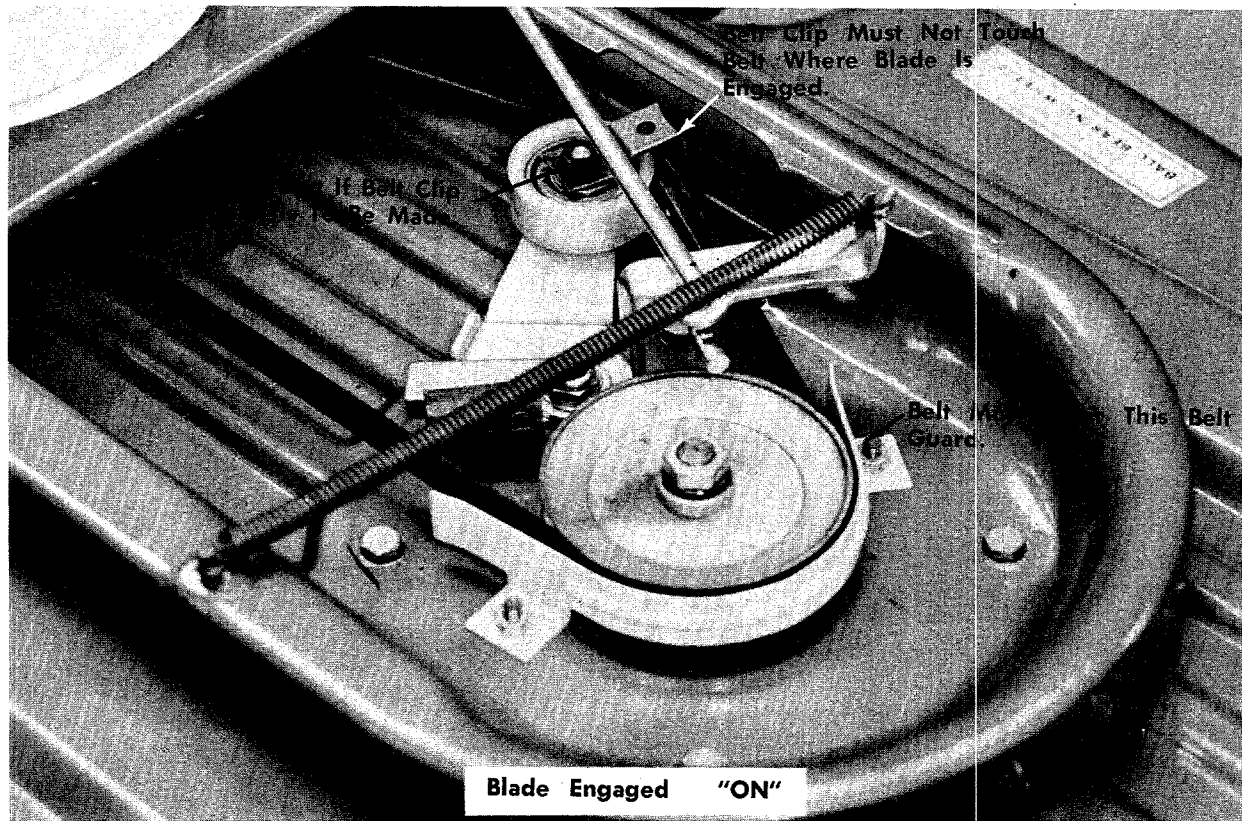
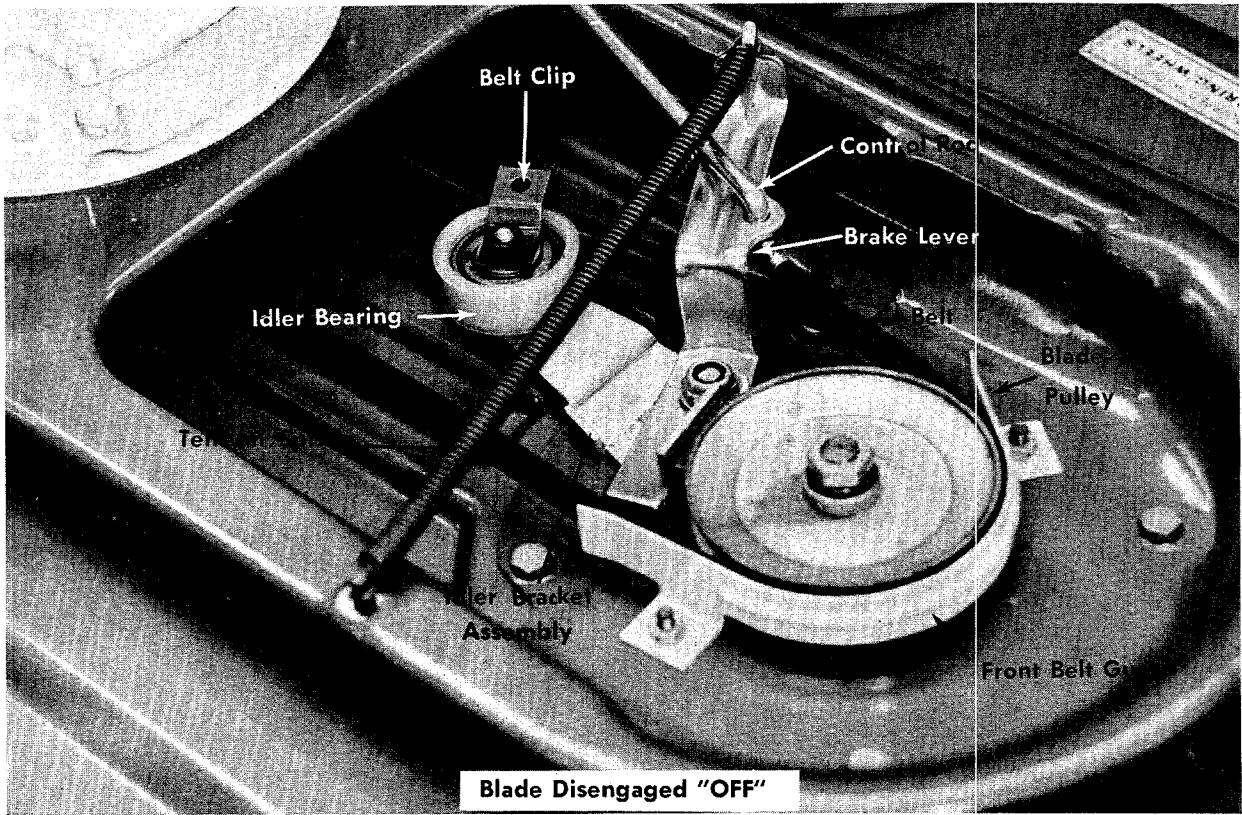


## BLADE IDLER BRACKET ASSEMBLY DETAIL



### BELT WEAR

Belt clips improperly positioned will cause premature belt wear. The belt clip must completely clear the belt when the belt is tightened. It should also assist in freeing the belt from the blade spindle pulley when the belt is loose. This may be checked by removing the blade spindle cover.

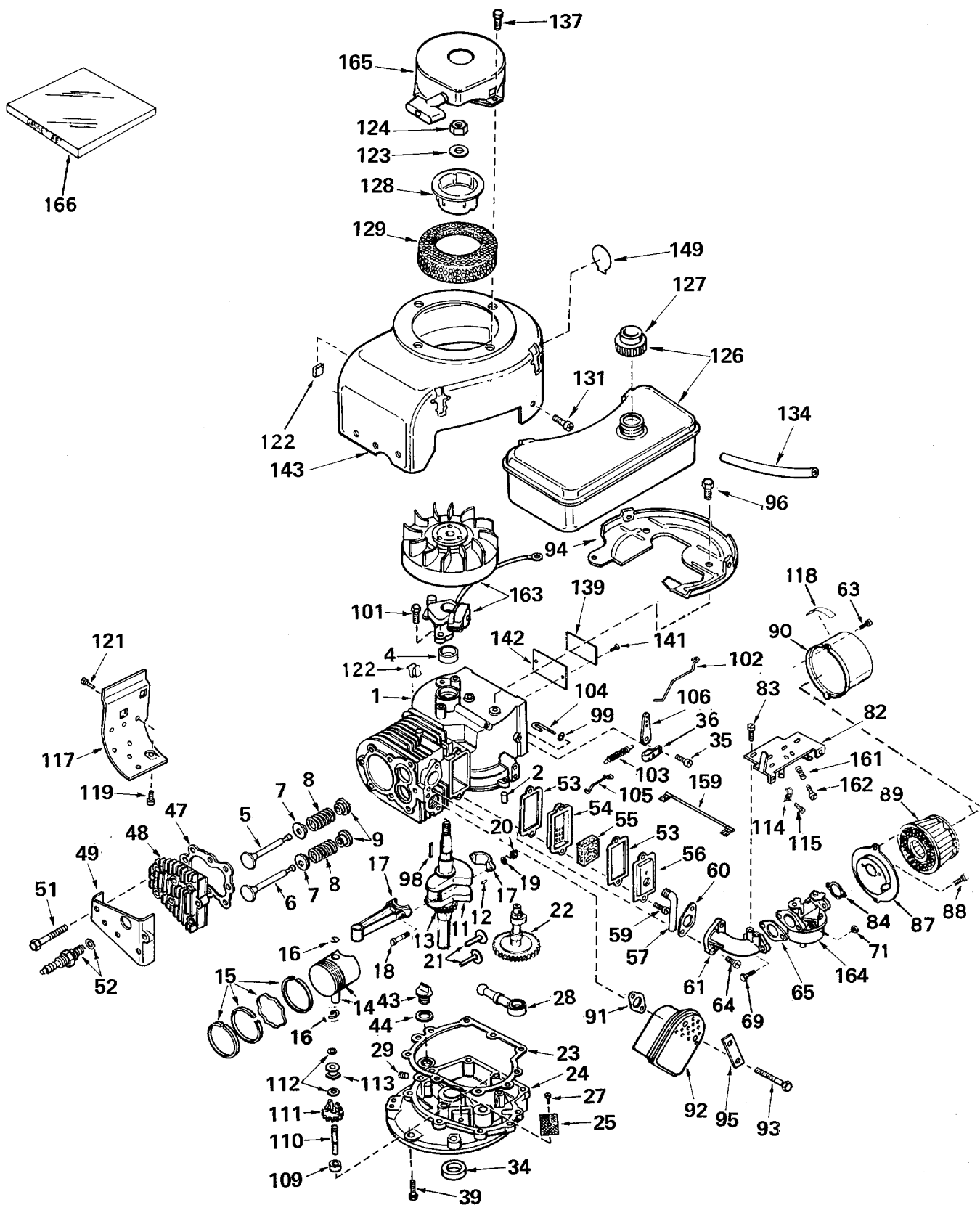


**NOTES:**

**NOTES:**

# TECUMSEH 4-CYCLE ENGINE

MODEL NUMBER: V60-70259H



# TECUMSEH 4-CYCLE ENGINE

MODEL NUMBER: V60-70259H

Ref. No.	Part No.	Part Name	Ref. No.	Part No.	Part Name
1	33361	Cylinder Assy. (Incl. Nos. 2 & 4)	51	650697	Screw, Hex hd. cap, 5/16-18 x 2-1/2
2	27652	Pin, Dowel	52	33636	Plug, Spark (Champion J-8 or equivalent)
4	27876B	Seal, Oil	53	*27896	Gasket, Valve chamber cover
5	27877A	Valve, Intake (Standard) (Incl. No. 9)	54	28423	Body Assembly, Breather
5	27880A	Valve, Intake (1/32" oversize) (Incl. No. 9)	55	28424	Element, Breather
6	27878A	Valve, Exhaust (Standard) (Incl. No. 9)	56	28425	Cover, Valve chamber
6	27880A	Valve, Exhaust (1/32" oversize) (Incl. No. 9)	57	27627	Tube, Breather
7	27882	Cap, Upper valve spring	59	650128	Screw, Fil. slotted hd. Sems, 10-24 x 1/2
8	27881	Spring, Valve	60	*27915	Gasket, Intake pipe
9	32581	Cap, Lower valve spring	61	31358	Pipe, Intake
11	33799	Crankshaft Assy. (Incl. Nos. 12 & 13)	63	650152	Screw, Fil. slotted hd. Sems, 8-32 x 3/8
12	29783	Pin, Crankshaft gear	64	650378	Screw, Fil. hd. Sems, 5/16-18 x 1-1/8
13	27884	Gear, Crankshaft	65	*26756	Gasket, Carburetor
14	33312	Piston & Pin Assembly (Incl. 2 of No. 16) (Standard)	69	6201	Screw, Hex hd. cap, 1/4-28 x 7/8
14	33313	Piston & Pin Assembly (Incl. 2 of No. 16) (.010 oversize)	71	29752	Nut, Hex, 1/4-28
14	33314	Piston & Pin Assembly (Incl. 2 of No. 16) (.020 oversize)	82	32181	Control Assy., Speed (Incl. Nos. 161 & 162)
15	33315	Ring Set, Piston (Standard)	83	30200	Screw, Slotted hex washer hd., 10-24 x 1/2
15	33316	Ring Set, Piston (.010 oversize)	84	*27272	Gasket, Air cleaner bracket-to-carburetor
15	33317	Ring Set, Piston (.020 oversize)	87	31691	Bracket, Air cleaner
16	27888	Ring, Piston pin retaining	88	28820	Screw, Phil. fil. hd. mach. Sems, 10-32 x 1/2
17	31380B	Rod Assembly, Connecting (Incl. Nos. 18, 19 & 20)	89	30727	Element, Air cleaner
18	30682	Bolt, Connecting rod	90	31692	Body, Air cleaner
19	26073	Washer, Connecting rod bolt	91	*27930	Gasket, Muffler flange
20	28264	Nut, Hex, 5/16-24	92	28269	Muffler Assembly
21	27893	Lifter, Valve	93	650696	Screw, Hex hd. cap, 5/16-18 x 2-3/4
22	33157	Camshaft (Compression Release)	94	29536	Baffle, Blower housing
23	*30684	Gasket, Mounting flange	95	31588	Plate, Locking muffler
24	31471B	Flange Assembly, Mounting (Incl. Nos. 25, 27, 29, 34, 43, 44 & 110)	96	650561	Screw, Phil. hex hd. Sems, 1/4-20 x 5/8
25	31355	Screen, Oil filter	98	30884	Key, Flywheel
27	29117	Screw, Slotted hex hd. self tap., 8-32 x 5/16	99	28277	Washer, Flat
28	31356	Pump Assembly, Oil	101	650489	Screw, Hex hd. Sems with flat-washer, 1/4-20 x 11/16
29	27642	Plug, Pipe	102	31823	Link, Governor
34	27897	Seal, Oil	103	31361	Spring, Governor
35	650548	Screw, Hex slotted washer hd., 8-32 x 3/8	104	30669	Rod, Governor (Incl. No. 99)
36	31335	Clamp, Governor lever	105	32582	Link, Governor spring
39	650488	Screw, Hex hd. Sems, 1/4-20 x 1-1/4	106	31357	Lever, Governor
43	27625	Plug, Oil filler (Incl. No. 44)	109	31707	Spacer
44	*29673	Gasket, Oil filler plug	110	30668	Shaft, Mechanical governor
47	*28938B	Gasket, Cylinder head	111	30591	Gear Assembly, Governor
48	30938A	Head, Cylinder	112	29193	Ring, Retaining
49	30939A	Cover, Cylinder head			

\*Indicates Parts Included in Gasket Set, Ref. No. 166.

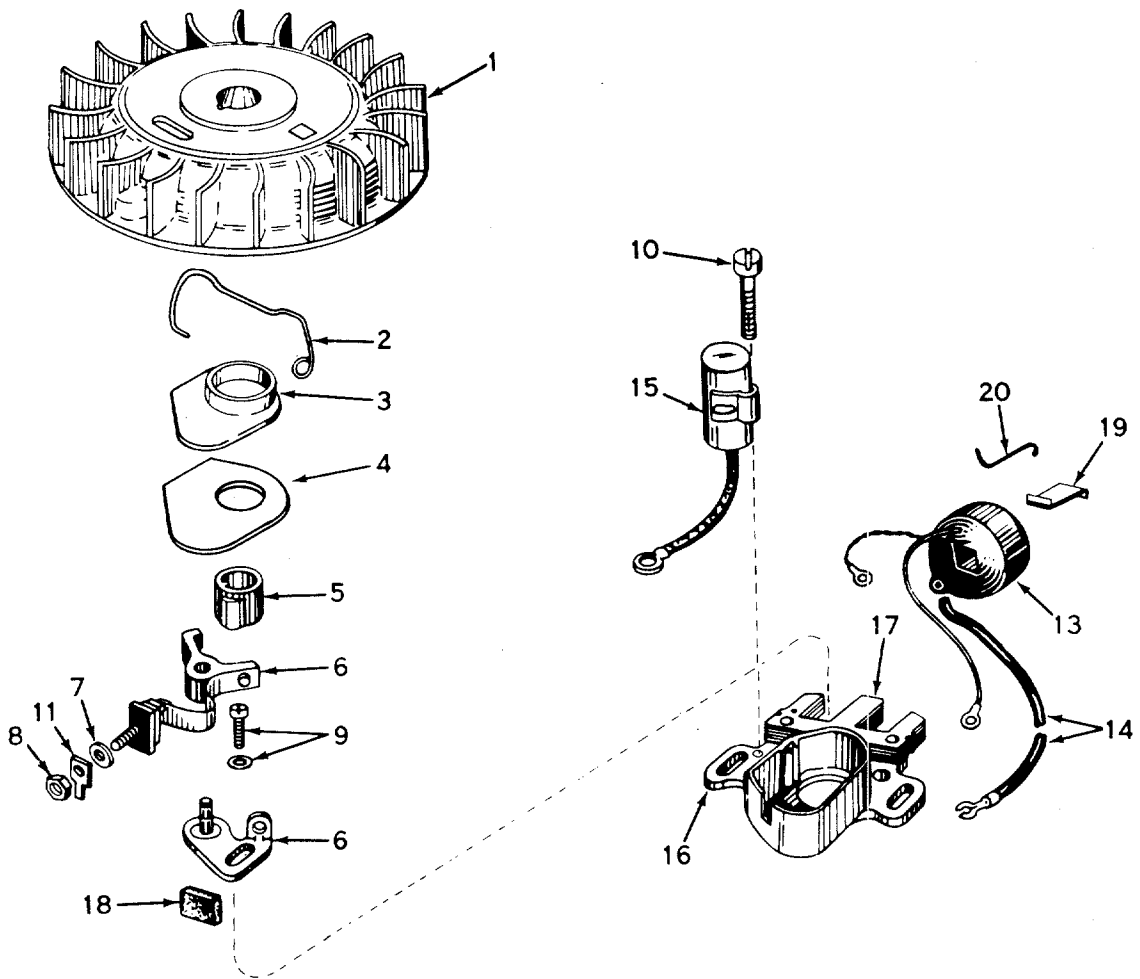
# TECUMSEH 4-CYCLE ENGINE

MODEL NUMBER: V60-70259H

Ref. No.	Part No.	Part Name	Ref. No.	Part No.	Part Name
113	30588A	Spool, Governor	134	29774	Line, Fuel
114	27793	Clip, Conduit	137	29716	Screw, Pan hd. P.C.R. with lockwasher, 1/4-28 x 7/16
115	28942	Screw & Lockwasher, Slotted hex.hd., 10-32 x 3/8	139	31398	Decal, Instruction
117	30622	Extension, Blower housing	141	28670	Stud, Drive
118	31752	Decal, Air cleaner	142	31345	Plate, Identification
119	650128	Screw, Fil. slotted hd. Sems, 10-24 x 1/2	143	32629A	Housing, Blower
121	30688	Screw, Hex hd. cap Sems, 1/4-20 x 1/2	149	31324	Decal, Name & H.P.
122	27275	Clip, Hi tension wire retaining	159	28468	Wire, Ground
123	650490	Washer, Belleville	161	31342	Spring, Compression
124	8116	Nut, Hex, 1/2-20	162	650549	Screw, Speed adjustment, 5-40 x 7/16 fil. slotted hd. mach.
126	32584	Tank Assy., Fuel (Incl. No. 127)	163	610689A	Magneto
127	32387A	Cap, Fuel	164	631444	Carburetor
128	32125	Cup, Starter	165	590420	Starter, Rewind
129	590417	Screen, Starter cup	166	33234	Gasket Set (Incl. items marked*)
131	29747A	Screw, Hex hd. Sems, cap, 5/16-24 x 3/4			*Indicates Parts Included in Gasket Set, Ref. No. 166.

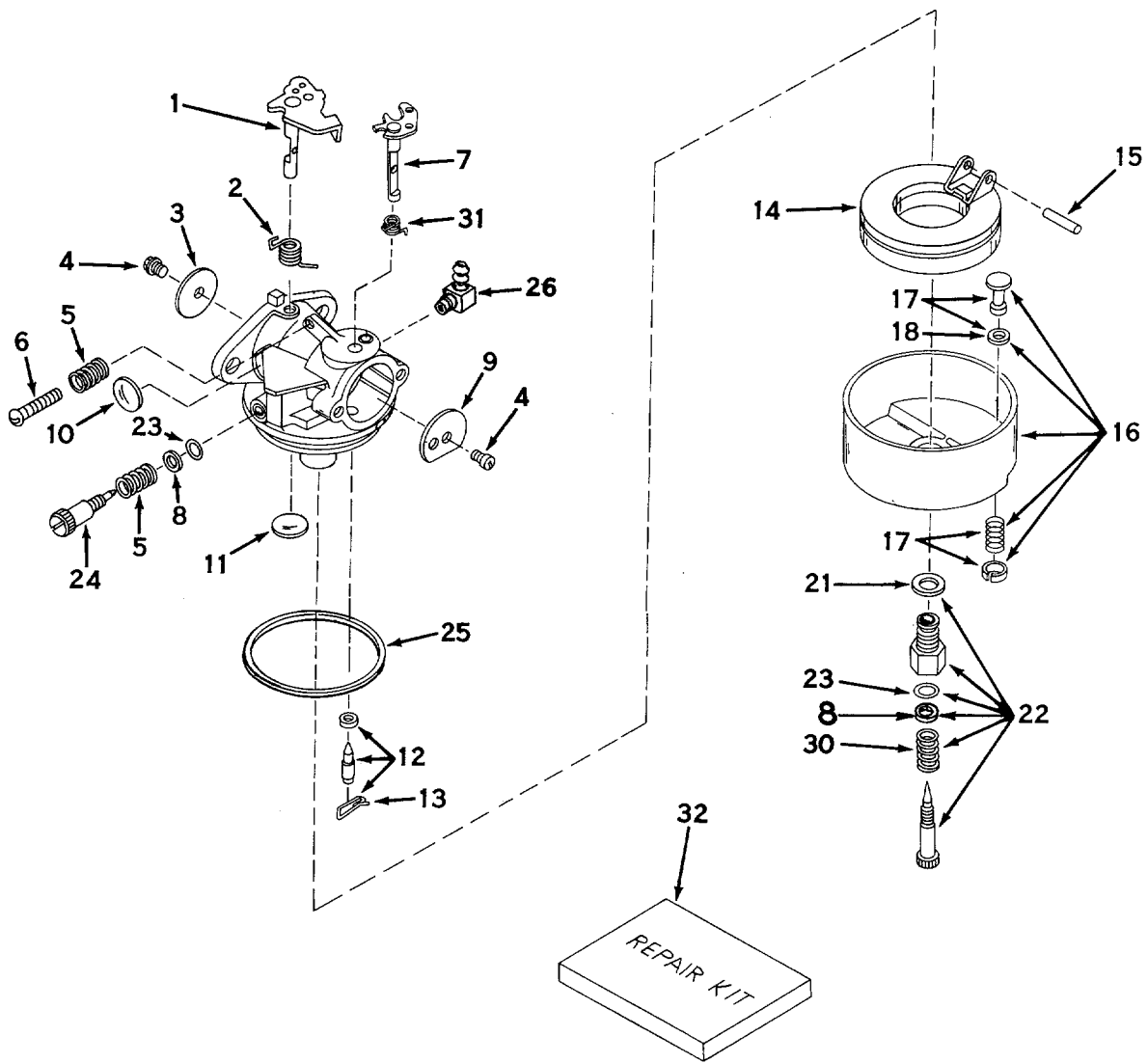


# MAGNETO NO. 610689A



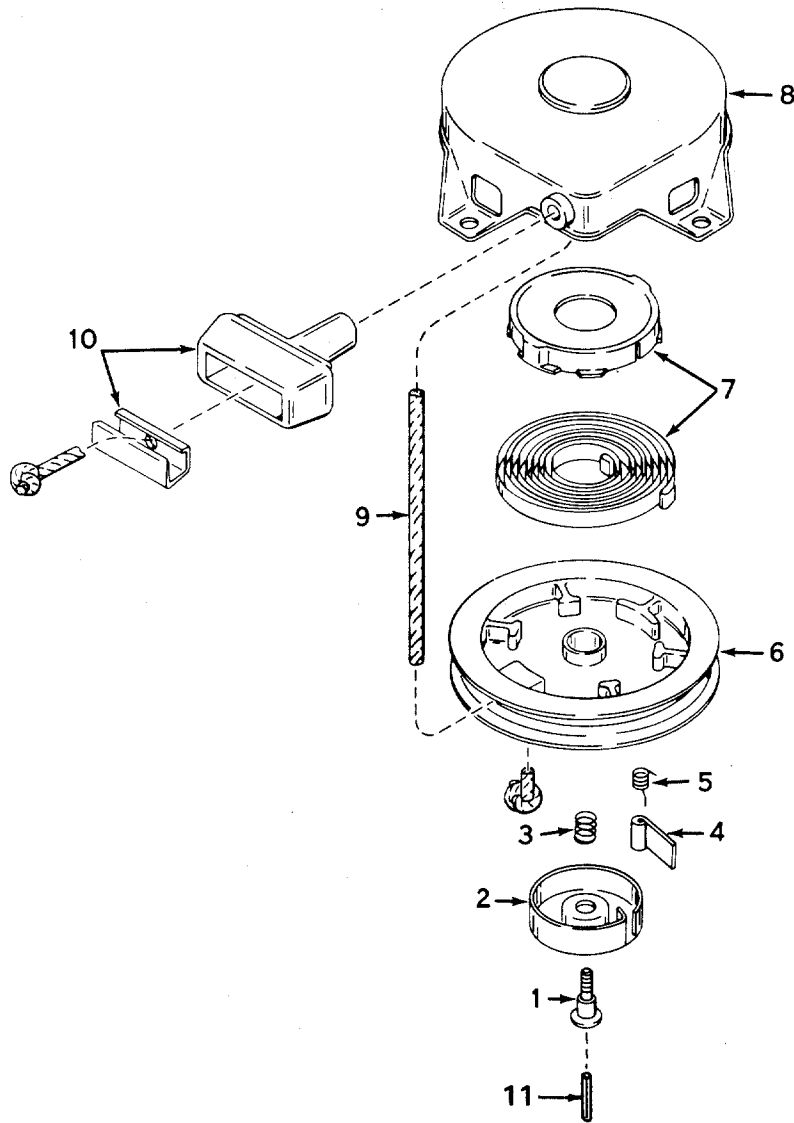
Ref. No.	Part No.	Part Name	Ref. No.	Part No.	Part Name
	610689A	Magneto	10	610593	Screw, Condenser fastening
1	30555	Flywheel	11	30843	Tab, Ground terminal
2	30551	Spring, Breaker box dust cover	13	30560A	Coil Assembly (Incl. Ref. No. 14)
3	30550	Cover, Breaker box dust	14	30554	Wire, Ignition lead
4	33695	Gasket, Dust cover	15	30548A	Condenser
5	30992	Cam, Breaker	16	30545	Core and Plate Group
6	30547A	Breaker Assembly	17	30561A	Stator Assembly
7	610385	Washer, Terminal	18	30549	Felt, Cam wiper
8	610408	Nut, Terminal	19	29629	Spring, Coil wedge
9	29181	Screw and Washer Assembly, Breaker	20	31311	Clip, Coil locking

# CARBURETOR NO.631444



Ref. No.	Part No.	Part Name	Ref. No.	Part No.	Part Name
	631444	Carburetor	16	631025	Bowl & Drain Assy., Float (Incl. No. 17)
1	31834	Shaft & Lever Assy., Throttle	17	27136A	Plunger Assy., Drain (Incl. No. 18)
2	631279	Spring, Throttle return	18	*27554	Gasket, Drain plunger
3	631036	Shutter, Throttle	21	27110	Gasket, Bowl-to-body
4	650506	Screw, 4-40 x 3/16	22	*631026	Adjustment Screw Assy., Main (Incl. Nos. 8, 21, 23 & 30)
5	630766	Spring, Idle regulating screw	23	*630740	"O" Ring, Adjustment screw
6	650417	Screw, Idle regulating	24	*631078	Screw, Idle adjustment
7	630973	Shaft & Lever Assy., Choke	25	*631028	Gasket, Bowl-to-body
8	630739	Washer, Flat	26	631445	Fitting, Fuel inlet
9	631037	Shutter, Choke	30	630738	Spring, Main adjustment screw
10	*630748	Plug, Welch	31	630821	Spring, Choke return
11	*631027	Plug, Welch	32	631029	Repair Kit (Incl. items marked*)
12	*631021	Inlet Needle, Seat & Clip Assy. (Incl. No. 13)			
13	631022	Clip, Inlet needle			
14	631023	Float, Carburetor			
15	*631024	Shaft, Float			

# REWIND STARTER NO. 590420



Ref. No.	Part No.	Part Name	Ref. No.	Part No.	Part Name
	590420	Starter, Rewind	7	590414	Spring & Keeper Assy.
1	590409	Screw, Retainer	8	590415	Housing Assy., Starter
2	590410	Retainer, R.H.	9	590386	Rope, Starter
3	590411	Spring, Brake	10	590387	Handle Assy., Starter
4	590148	Dog, Starter	11	590459	Pin, Centering
5	590412	Spring, R. H. dog			
6	590413A	Pulley			

**Sears**

**owners  
manual**

**MODEL NO.  
247.88110**

**Sears  
SERVICE  
is at  
Your  
SERVICE  
wherever You  
live or move  
in the U.S.A.**

## **How to ORDER Repair Parts**

The Model Number will be found on a plate attached to your mower at the right-hand side of the frame. Always mention the Model Number when requesting service or repair parts for your 22 INCH HI WHEEL SELF PROPELLED ROTARY MOWER.

All parts listed herein may be ordered through SEARS, ROEBUCK AND CO. or SIMPSONS-SEARS LIMITED. When ordering parts by mail, selling prices will be furnished on request or parts will be shipped at prevailing prices and you will be billed accordingly.

WHEN ORDERING REPAIR PARTS, ALWAYS GIVE THE FOLLOWING INFORMATION AS SHOWN IN THIS LIST.

1. The PART NUMBER
2. The PART DESCRIPTION
3. The MODEL NUMBER 247.88110
4. The NAME OF ITEM—  
22 INCH HI WHEEL SELF PROPELLED  
ROTARY MOWER
5. ENGINE MODEL NO. V60-70259H

Your Sears merchandise takes on added value when you discover that Sears has over 2,000 Service Units throughout the country. Each is staffed by Sears-trained, professional technicians using Sears approved parts and methods.

Sold by **SEARS, ROEBUCK AND CO., Chicago, Ill. 60607 U.S.A.**  
and **SIMPSONS-SEARS LIMITED, Toronto**